

Philips Semiconductors

---

Business Line Power Management

26<sup>th</sup> January 2006

Dear Customer,

**Re: DN56 - Change to Availability Status of SOD87 Products.**

Philips Semiconductors are discontinuing the range of rectifier and zener TVS products in the SOD87 diode package as announced in discontinuation notice DN56. Withdrawal of the rectifier and zener TVS products will comply with Philips Semiconductors product discontinuation guidelines, meaning last order acceptance will be end of June 2006 and last delivery date will be latest end of December 2006.

The production capability for these products is capacity limited and a number of technical factors are likely to impinge on this capacity during the second half of 2006. In view of these increased supply side risks, a review of the availability status of these products has been undertaken and a decision made to amend the status to Code 2 – Limited Availability. In order to ensure the highest possible degree of confidence in the supply of Last Time Buy requirements, it is strongly recommended that customers submit their last time orders by 31st March 2006. A list of affected products is appended below.

If you have any questions, please do not hesitate to contact your Philips Semiconductors account manager.

Yours faithfully,



David Compton  
Product Marketing  
Bipolar Product Line  
Philips Semiconductors, BL Power Management

## SOD87 Discontinuation.

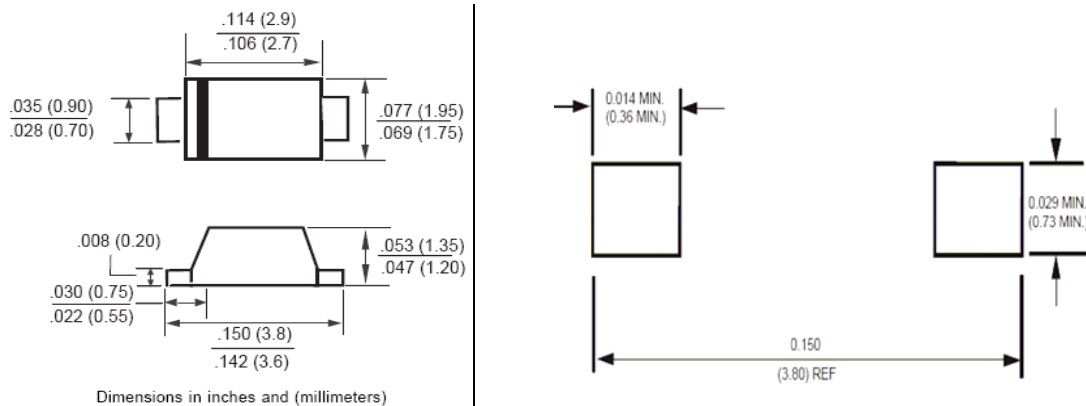
### RECTRON Replacement Part Numbers to Philips Discontinued SOD87 Series

On January 2006 Philips announced discontinuation of their SOD87 products and Rectron Inc is able to offer three different replacement packages.

- A. The SOD-123 is compatible to SOD87 in regards to solder footprints and power dissipation.

CASE TYPE			
SOD-87	SOD-123F	SOD-87	SOD-123F
PART NUMBERS			
Philips	Rectron	Philips	Rectron
BZD27	BZT52C	PRLL5817	SS2
BYD17D	SA3	PRLL5818	SS3
BYD17G	SA4	PRLL5819	SS4
BYD17J	SA5		
BYD17K	SA6	PS07D	05S3
BYD17M	SA7	PS07G	05S4
BYD37D	05F3	PS07J	05S5
BYD37G	05F4		
BYD37J	05F5	PRS07D	05F3
PRLL4001	SA1	PRS07G	05F4
PRLL4002	SA2	PRS07J	05F5

SOD-123F packaging drawing and solder footprints



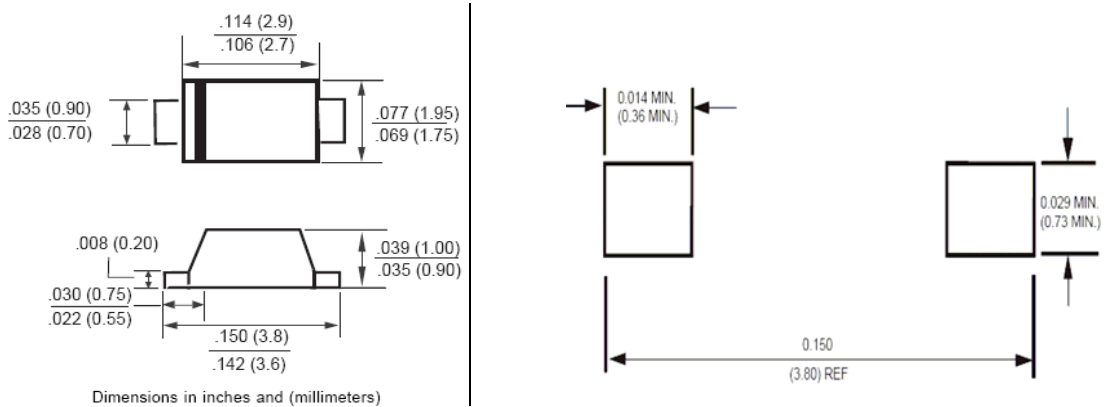
## SOD87 Discontinuation.

### RECTRON Replacement Part Numbers to Philips Discontinued SOD87 Series

- B. The SOD-123FL is an improved version and is more compatible to the SOD87 with a lower case height of 1.0mm maximum.

CASE TYPE			
SOD-87	SOD-123FL	SOD-87	SOD-123FL
PART NUMBERS			
Philips	Rectron	Philips	Rectron
BYD17D	SA3L	PRLL5817	SS2L
BYD17G	SA4L	PRLL5818	SS3L
BYD17J	SA5L	PRLL5819	SS4L
BYD17K	SA6L		
BYD17M	SA7L	PS07D	05S3L
BYD37D	05F3L	PS07G	05S4L
BYD37G	05F4L	PS07J	05S5L
BYD37J	05F5L	PRS07D	05F3L
PRLL4001	SA1L	PRS07G	05F4L
PRLL4002	SA2L	PRS07J	05F5L

### SOD-123FL packaging drawing and solder footprints



## SOD87 Discontinuation.

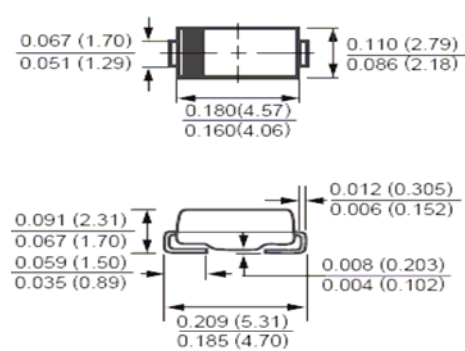
### RECTRON Replacement Part Numbers to Philips Discontinued SOD87 Series

- C. The SMA even though is larger regarding solder footprints still offers compatibility with an increased power dissipation capability of 0.2 Watts

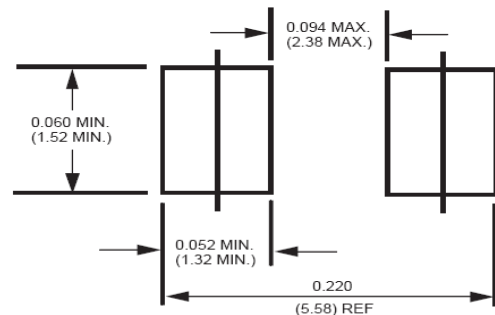
CASE TYPE					
SOD-87	DO-214AC/ SMA	SOD-87	DO-214AC/SMA	SOD-87	DO-214AC/ SMA
PART NUMBERS					
Philips	Rectron	Philips	Rectron	Philips	Rectron
BZD27	FM47xxA	BYD47-16	FFM1600W*	BYD127	UFM104
BYD17D	FM4003	BYD47-18	FFM1800W*	BYD147	EFM105
BYD17G	FM4004	BYD47-20	No Alternate Part	BYD167	EFM107
BYD17J	FM4005	BYD57D	HFM103	PRLL4001	FM4001
BYD17K	FM4006	BYD57G	HFM105	PRLL4002	FM4002
BYD17M	FM4007	BYD57J	HFM106	PRLL5817	FM5817
BYD37D	FM4935	BYD57K	HFM107	PRLL5818	FM5818
BYD37G	FM4936	BYD57M	HFM108	PRLL5819	FM5819
BYD37J	FM4937	BYD77A	UFM101	PS07D	FM4003
BYD37K	FM106	BYD77B	UFM102	PS07G	FM4004
BYD37M	FM107	BYD77C	UFM103	PS07J	FM4005
		BYD77D	UFM104	PRS07D	FM4935
		BYD77F	EFM106	PRS07G	FM4936
		BYD77G	EFM106	PRS07J	FM4937

\* Case is SMX, not SMA, difference is lead width is 1.8mm max

DO-214AC/ SMA package drawing and solder footprint



Dimensions in inches and (millimeters)



- D. Contact your local sales representative or visit our website: [www.rectron.com](http://www.rectron.com), to request samples.