

## DISCONTINUATION OF RECTRON'S PLASTIC CASE MELF RECTIFIER PRODUCTS

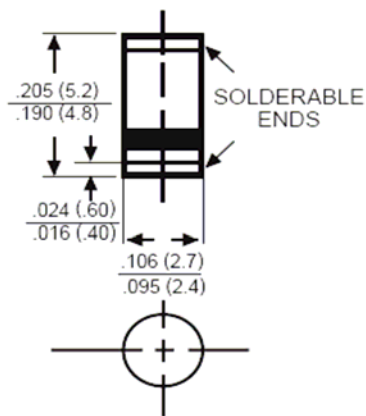
### MELF (DO213AB) CROSS REFERENCE



PRODUCT	MELF PART NBR	SMA PART NBR	SMX PART NBR	SOD123F PART NBR	SOD123FL PART NBR
<b>SCHOTTKY</b>	SM5817-5819	FM5817- 5819		SS2- SS4	SS2L- SS4L
	SM120- 160	FM120- 160		SS2- SS6	SS2L- SS6L
<b>SUPER FAST</b>	ESM101- 107	EFM101- 107			
<b>HIGH EFFICIENCY</b>	HSM101- 108	HFM101- 108	HFM101- 108W		
<b>FAST RECOVERY</b>	SM4933- 4937	FM4933- 4937	FM4933W- 4937W		
	FSM101- 107	FFM101- 107	FFM101W- 107W		
<b>TRANSIENT SUPPRESSOR</b>	P4SM6.8-200A	P4FMAJ6.8-400A, CA			
<b>GENERAL PURPOSE</b>	SM4001- 4007	FM4001- 4007	FM4001W- 4007W	SA1- SA7	SA1L- SA6L

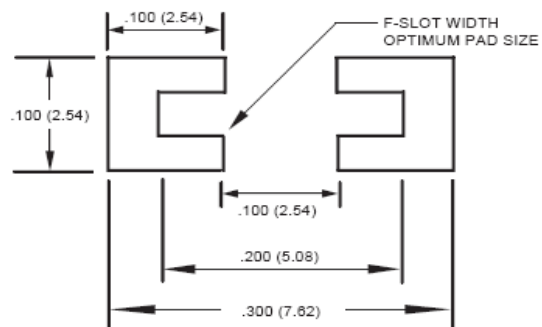
NOTE: 1) SOD123FL has a lower case height of 1.0 mm max  
 2) SMX difference is Lead width of 1.8mm max and non-GPP chip

### DO213AB MELF



Dimensions in inches and (millimeters)

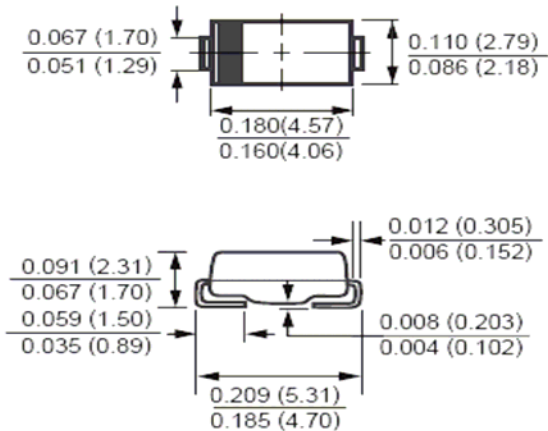
### *Mounting Pad Layout*



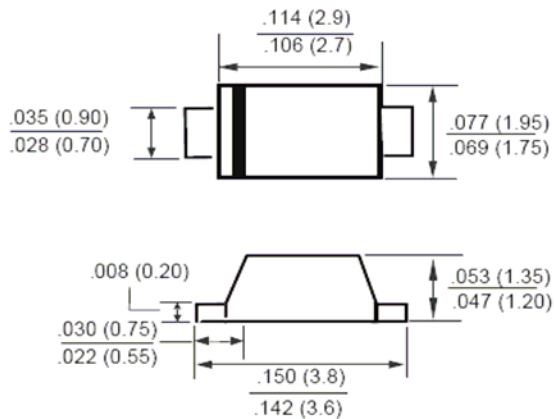
## DISCONTINUATION OF RECTRON'S PLASTIC CASE MELF RECTIFIER PRODUCTS

### RECTRON'S SUGGESTED REPLACEMENT RECTIFIERS

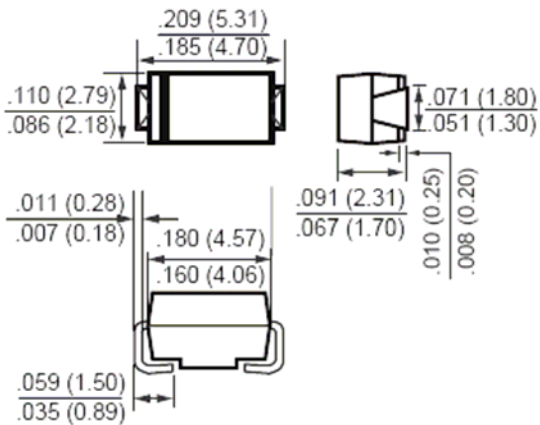
#### SMA



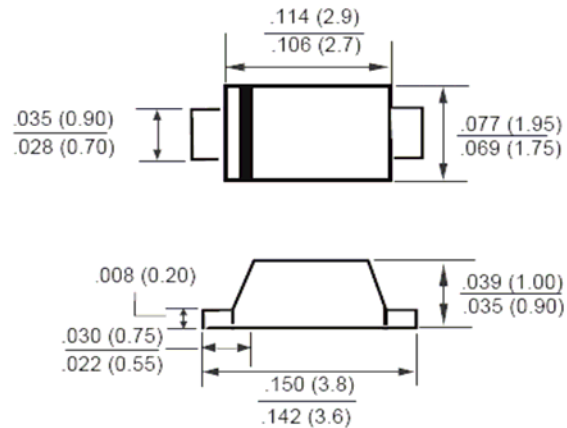
#### SOD123F



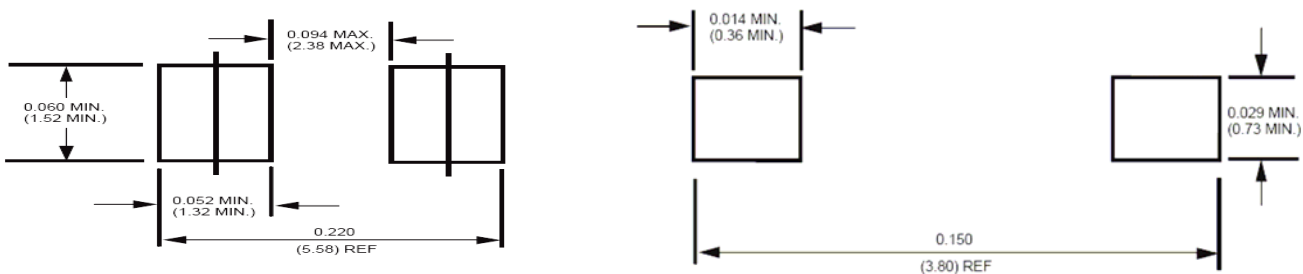
#### SMX



#### SOD123FL



### PCB SOLDER FOOT PRINTS



Dimensions in Inches and (Millimeters)