

LEAD FORMING SPECIFICATIONS

(Available for bulk packaging only)

Unit: mm

DO-41

	A	B		A	B
H01	12.5 ± 1.0		H03-3	12.5 ± 0.5	8.5 ± 0.5
H02	10.0 ± 0.5	6.4 ± 0.5	H03-4	12.5 ± 0.5	12.0 ± 0.5
H02-1	10.0 ± 0.5	5.0 ± 0.5	H04	12.5 ± 0.5	10.0 ± 0.5
H02-2	10.0 ± 0.5	4.5 ± 0.5	H05	15.0 ± 0.5	10.0 ± 0.5
H02-3	10.3 ± 0.5	5.0 ± 0.5	H05-1	15.0 ± 0.5	6.5 ± 0.5
H02-4	10.0 ± 0.5	10.0 ± 0.5	H06	11.0 ± 0.5	6.5 ± 0.5
H02-5	10.0 ± 0.5	14.5 ± 0.5	H07	12.0 ± 0.5	10.0 ± 0.5
H03	12.5 ± 0.5	6.6 ± 0.5	H08	13.0 ± 0.5	6.5 ± 0.5
H03-1	12.5 ± 0.5	4.7 ± 0.5	H09	16.0 ± 0.5	10.0 ± 0.5
H03-2	12.5 ± 0.5	5.3 ± 0.5			

DO-15

	A	B		A	B
H11	12.5 ± 0.5	6.4 ± 0.5	H15	12.5 ± 0.5	7.0 ± 0.5
H12	12.5 ± 0.5	10.0 ± 0.5	H16	15.0 ± 0.5	6.5 ± 0.5
H13	15.0 ± 0.5	10.0 ± 0.5	H17	13.0 ± 0.5	6.5 ± 0.5
H14	11.0 ± 0.5	6.5 ± 0.5	H18	15.0 ± 0.5	6.4 ± 0.5

R-3

	A	B		A	B
H21	12.5 ± 0.5	10.0 ± 0.5	H22	13.0 ± 0.5	6.5 ± 0.5

DO-201AD

	A	B		A	B
H31	15.0 ± 0.5	10.0 ± 0.5	H35	18.0 ± 0.5	12.5 ± 0.5
H31-1	15.0 ± 0.5	7.0 ± 0.5	H36	13.0 ± 0.5	
H32	18.0 ± 0.5	10.0 ± 0.5	H36-1	14.3 ± 0.5	
H32-1	18.0 ± 0.5	12.5 ± 0.5	H36-2	15.0 ± 0.5	
H33	20.0 ± 0.5	10.0 ± 0.5	H36-3	18.0 ± 0.5	
H34	14.5 ± 0.5	8.5 ± 0.5	H36-4	20.0 ± 0.5	

R-6

	A	B		A	B
H41	15.0 ± 1.0	10.0 ± 0.5	H43	18.0 ± 1.0	12.5 ± 0.5
H42	20.0 ± 1.0	10.0 ± 0.5			

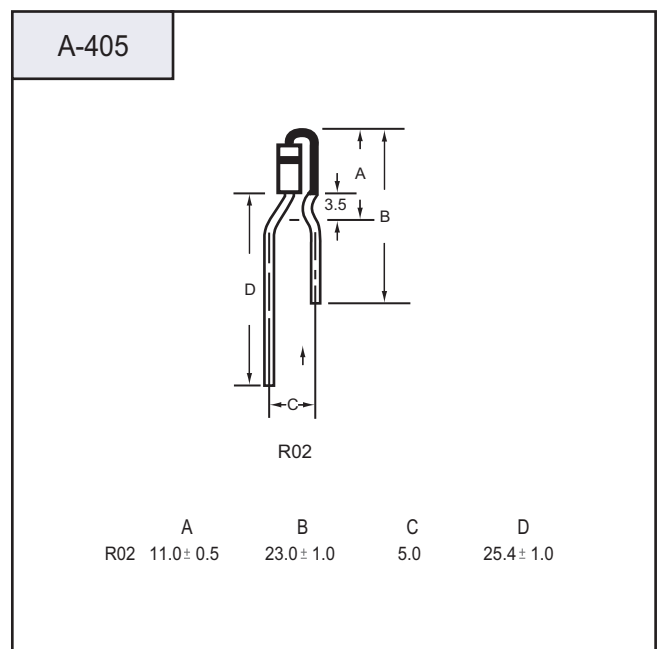
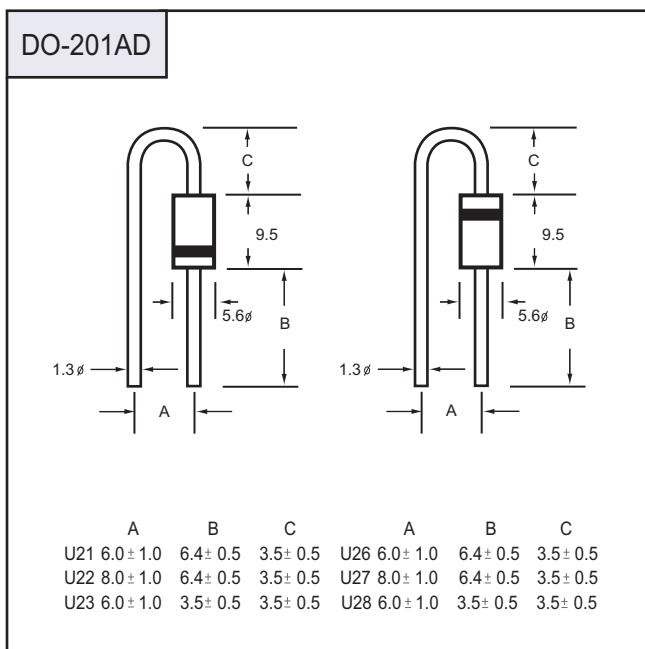
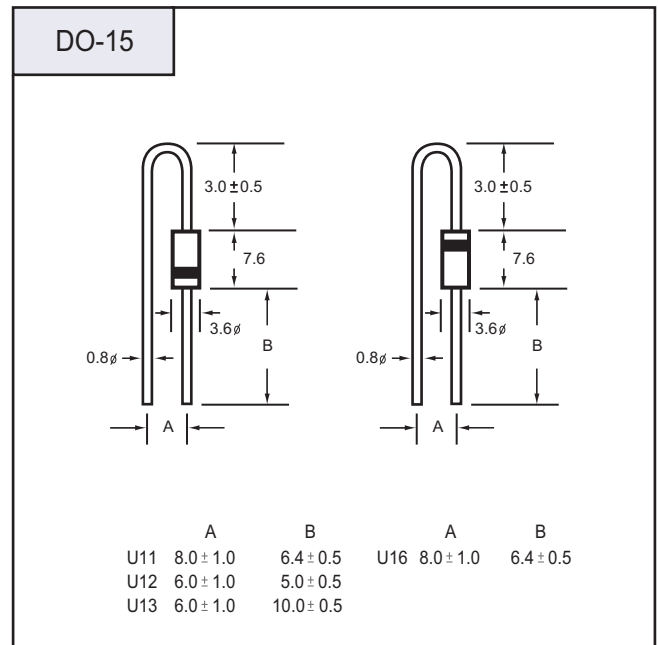
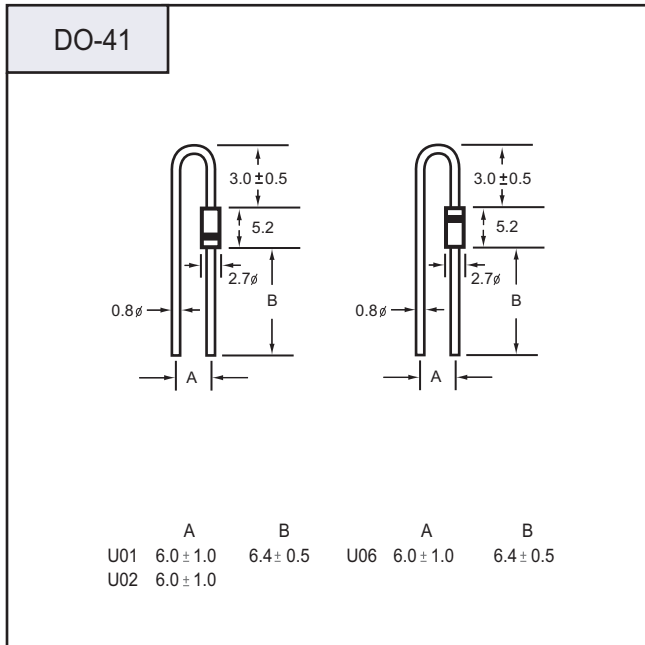
DO-41

	A	B	C	D
M01	2.0 ± 0.5	12.5 ± 1.0	3.25	9.0 ± 1.0
M02	4.5 ± 0.5	15.0 ± 1.0	5.00	14.5 ± 1.0
M03	4.5 ± 0.5	12.5 ± 1.0	5.00	14.5 ± 1.0
M04	4.5 ± 0.5	10.0 ± 1.0	5.00	14.5 ± 1.0
M05	6.0 ± 0.5	18.0 ± 1.0	5.00	18.0 ± 1.0

LEAD FORMING SPECIFICATIONS

(Available for bulk packaging only)

Unit: mm



LEAD FORMING SPECIFICATIONS

(Available for bulk packaging only)

Unit: mm

