

# REEL TAPING SPECIFICATIONS FOR SURFACE MOUNT DEVICES-SOD-123FL

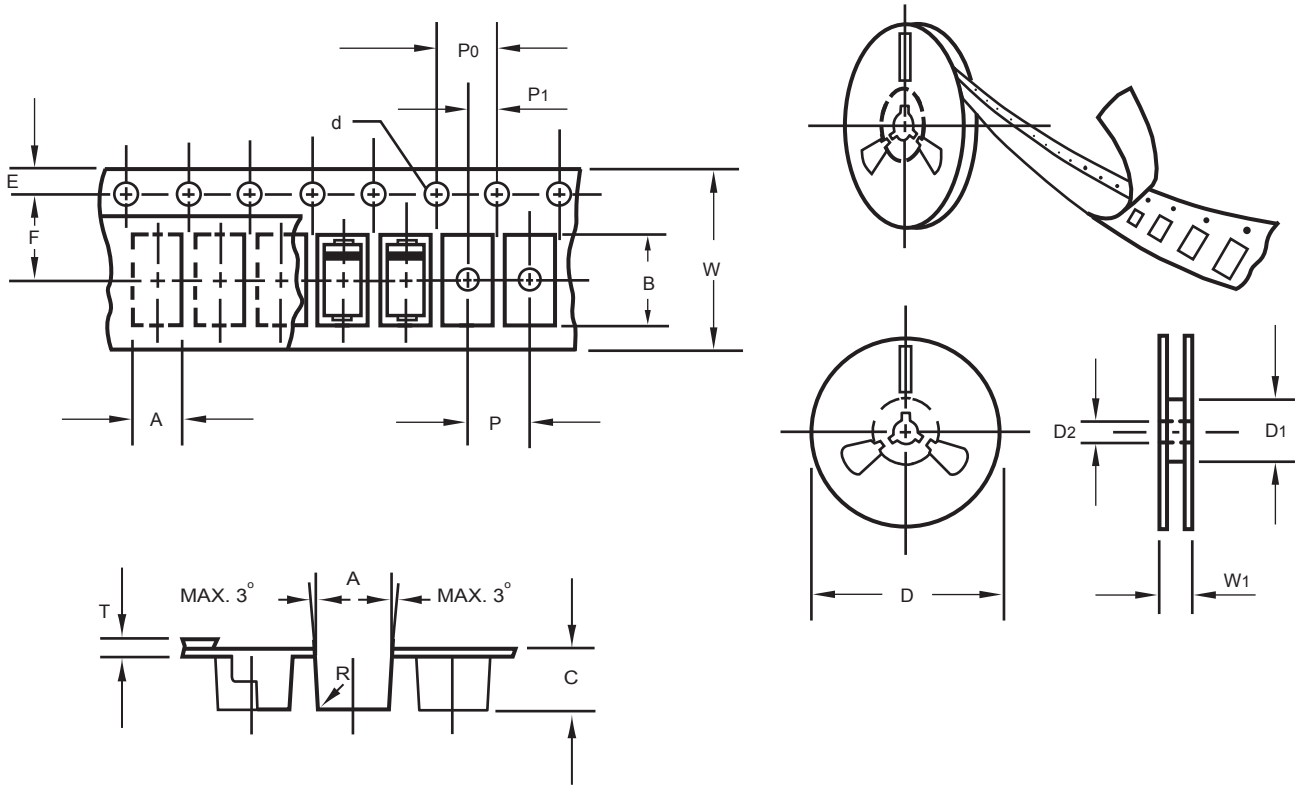


Fig.: Configuration of SOD-123FL TAPING

ITEM	SYMBOL	SPECIFICATIONS (mm)	SPECIFICATIONS (inch)
Carrier width	A	2.05 ± 0.05	0.081±0.002
Carrier length	B	3.85 ± 0.1	0.152±0.004
Carrier depth	C	1.15 ± 0.1	0.045±0.004
Sprocket hole	d	1.55 ± 0.05	0.061±0.002
Reel outside diameter	D	178 ± 2.0	7.01±0.039
Reel inner diameter	D1	60 Min.	2.363 Min.
Feed hole diameter	D2	13.0 ± 0.5	0.512±0.020
Stroctet hole position	E	1.75 ± 0.1	0.069±0.004
Punch hole position	F	3.50 ± 0.05	0.138±0.002
Punch hole pitch	P	4.00 ± 0.1	0.158±0.004
Sprocket hole pitch	P0	4.00 ± 0.1	0.158±0.004
Embossment center	P1	2.00 ± 0.05	0.079±0.002
Total tape thickness	T	0.3 ± 0.05	0.012±0.002
Tape width	W	8.00 ± 0.3	0.315±0.012
Reel width	W1	11.4 ± 0.5	0.449±0.020

Note: Devices are packed in accordance with EIA standard RS-481-A and specification given above.