

# REEL TAPING SPECIFICATIONS FOR SURFACE MOUNT DEVICES - DBS

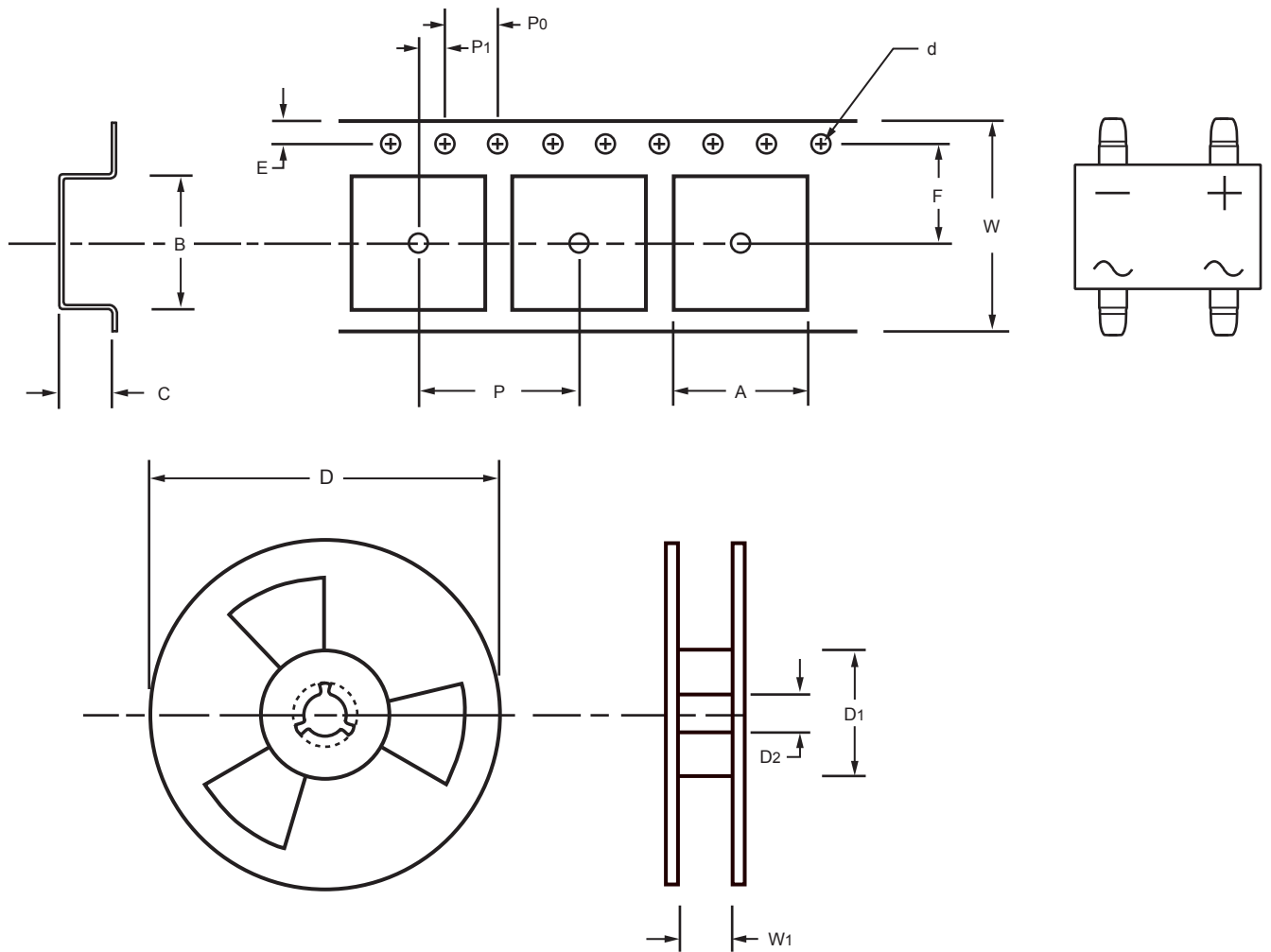


Fig.: Configuration of DBS REEL TAPING

ITEM	SYMBOL	SPECIFICATIONS (mm)	SPECIFICATIONS (inch)
Carrier width	A	10.2 ± 0.1	0.402 ± 0.004
Carrier length	B	10.3 ± 0.1	0.406 ± 0.004
Carrier depth	C	4.25 ± 0.1	0.167 ± 0.004
Sprocket hole	d	1.55 ± 0.1	0.061 ± 0.004
Reel outside diameter	D	330.0 ± 2.0	12.992 ± 0.079
Reel inner diameter	D1	16.4 ± 2.0	0.646 ± 0.079
Feed hole diameter	D2	13.0 ± 0.2	0.512 ± 0.008
Sprocket hole position	E	1.75 ± 0.1	0.069 ± 0.004
Punch hole position	F	7.5 ± 0.1	0.295 ± 0.004
Punch hole pitch	P	12.0 ± 0.1	0.472 ± 0.004
Sprocket hole pitch	P0	4.0 ± 0.1	0.157 ± 0.004
Embossment center	P1	2.0 ± 0.1	0.079 ± 0.004
Tape width	W	16.0 ± 0.3	0.63 ± 0.012
Reel width	W1	22.4 ± 1.0	0.882 ± 0.039

- Notes : 1. Devices are packed in accordance with EIA stand RS-481-A and specifications listed above. Available only for DB-S devices.  
2. Available on 7 inch ( 1000 c.t. ) or 13 inch ( 5000 c.t. ) diameter reels.