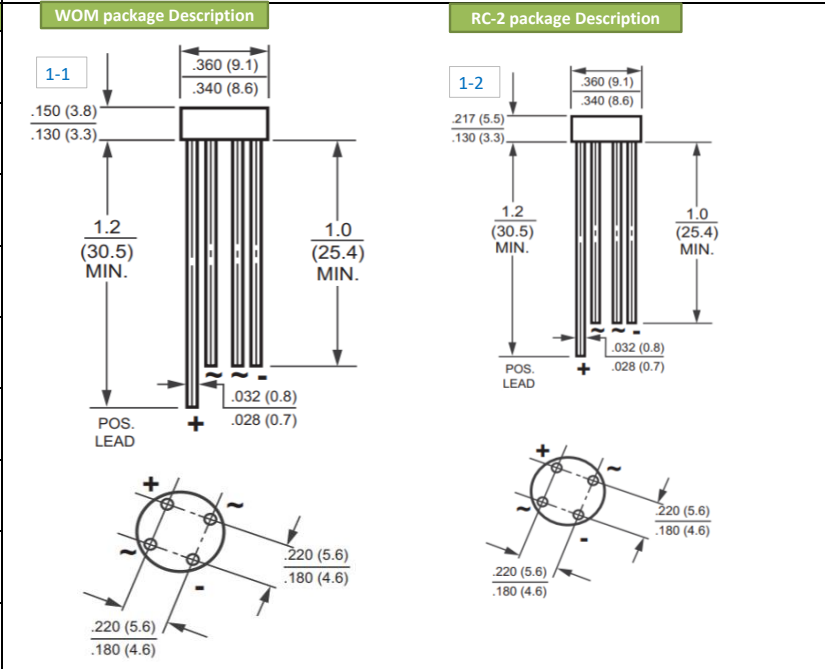


Title of Change:	Rectron WOM package EOL
Proposed first ship date	21-Sep-20
Contact information:	Please contact Rectron Semiconductor Sales Office or visit www.rectron.com for nearest contact information.
Samples:	Please contact Rectron Semiconductor Sales Office or visit www.rectron.com for nearest contact information. Samples delivery timing will be subject to request date, sample quantity and special customer packing/label requirements.
Additional Reliability Data:	Please contact Rectron Semiconductor Sales Office or visit www.rectron.com for nearest contact information.
Type of notification:	This is a Final Product/Process Change Notification (FPCN) sent to customers. FPCNs are issued 90 days prior to implementation of the change. Rectron Semiconductor will consider this change accepted, unless an inquiry is made in writing within 30 days of delivery of this notice. To do so, Please visit www.rectron.com for nearest contact information
Change Part Identification:	Model unchanged
Change Category:	£ Material <input checked="" type="checkbox"/> Machine/Tooling £Method £Manufacture site £Man
Change Sub-Category(s):	£Manufacturing Site Transfer £Material Change <input checked="" type="checkbox"/> Datasheet/Product Doc change £Manufacturing Process Change <input type="checkbox"/> Product specific change £Shipping/Packaging/Marking £ Manufacturing Site Addition £Other:
Last order date for old parts	
Description and Purpose:	About Rectron WOM package , old molding tools phased out.

Point:	Change
1.Body height	Old max 3.8mm, min 3.3mm new max 5.5mm, min 3.3mm



Reliability Data Summary:			
QV DEVICE NAME:	Sample size(PC)	Condition	ACC/REJ
Hi-real test			
High Temperature Reverse Bias	77	Ta=150°C±5°C VR=480V. for 1000 Hrs.	ACC
Thermal Fatigue Testing	77	ON : 300 sec / Off : 300 sec for 1000 cycles	ACC
Solder resistance	77	260±5°C for 10±2 Sec.	ACC
Thermal Shock	77	55°C±5°C/5MIN AND 150±5°C/5MIN for 100 cycles	ACC
Electrical Characteristic Summary:		Electrical characteristics are not impacted	
List of Affected Parts:		Note: Only the standard (off the shelf) part numbers are listed in the parts list. Any custom parts affected by this PCN are shown in the customerspecific PCN addendum in the PCN email notification, or on the PCN Customized Portal.	
Part Number	New spec	Addition	Mark
W005M W01M W02M W04M	RC201 RC202 RC203 RC204	Including to House #	
W06M W08M W10M	RC205 RC206 RC207		
Version 202005-F	Version 202008-F		
2W10G	RC201 RC202 RC203 RC204	Including to House #	
Version 202005-B	RC205 RC206 RC207		