

The application of 4M change

Supplier: Zhe Jiang Rectron Electronic Co., Ltd

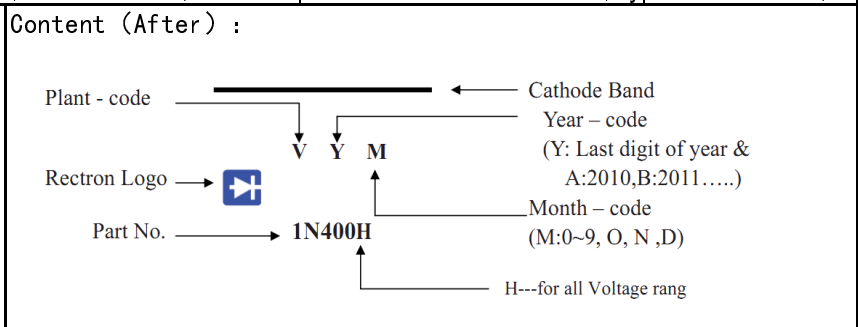
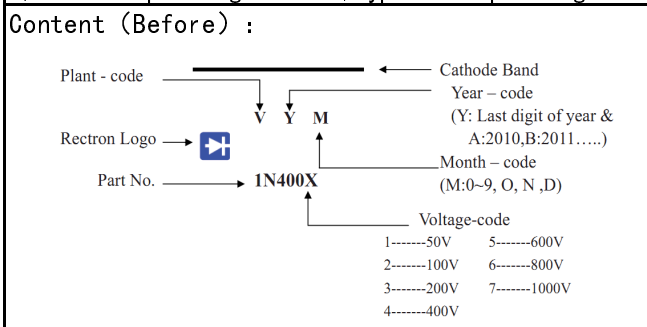
Date: 2018-10-26

Item	RL1N4001-RL1N4007	Supplier					
P/N	RL1N4001-RL1N4007	GM	SALE	PURCHASE	PE	QRA	Prepared
		Richard	Robert	LH LU	Dick	Mark	Mark

Class. Material Machine/Tooling Method Manufacture site
Man
Change Level High Low

Description:

- 1) Device body marking change from "RL1N4001", "RL1N4002"...etc to "RL1N400H".
- 2) Maximum Recurrent Peak Reverse Voltage (Vrrm) rating upgraded as below.
RL1N4001 from 50V to 1000V RL1N4004 from 400V to 1000V RL1N4006 from 800V to 1000V
RL1N4002 from 100V to 1000V RL1N4005 from 600V to 1000V RL1N4007 no change
RL1N4003 from 200V to 1000V
- 3) No other fit, form or function changes
- 4) If the customer disagrees with the change, We will use Z to distinguish the material number.
- 5) P/O: P/N-packing code-Z; Type: P/N-packing code; Remark : -Z (For example: P/O: RL1N4007-F-Z; Type: RL1N4007-F)



Effective Date:
Jan/1st/2019

Reason :
Improved breakdown reliability, product availability, and manufacturing efficiency.

Sample Q'ty :	Pcs	Customer Approved	
Customer opinion:			
Approved: Yes () No ()			
Approved date by customer:			