

## The application of 4M change

Supplier: Zhe Jiang Rectron Electronic Co., Ltd

Date: 2018-10-26

<b>Item</b>	6A05-6A10	Supplier					
<b>P/N</b>	6A05-6A10	GM	SALE	PURCHASE	PE	QRA	Prepared
		Richard	Robert	LH LU	Dick	Mark	Mark

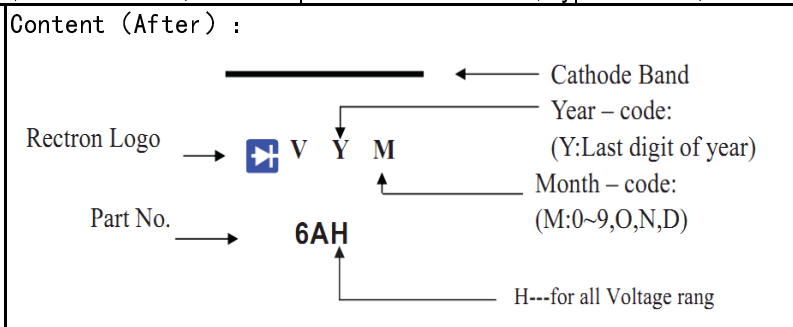
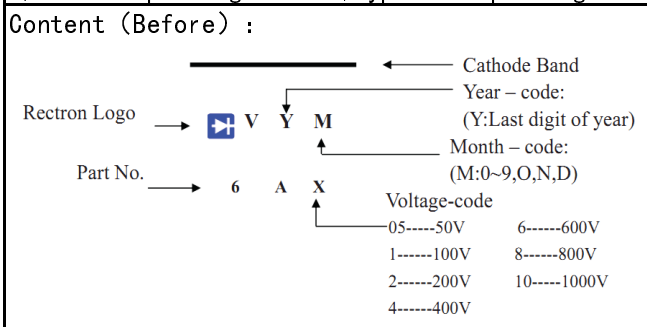
Class.      Material     Machine/Tooling    Method    Manufacture site  
Man

Change Level    High    Low

**Description:**

- 1) Device body marking change from "6A05", "6A1" etc to "6AH".
- 2) Maximum Recurrent Peak Reverse Voltage (Vrrm) rating upgraded as below.

6A05 from 50V to 1000V	6A4 from 400V to 1000V	6A8 from 800V to 1000V
6A1 from 100V to 1000V	6A6 from 600V to 1000V	6A10 no change
6A2 from 200V to 1000V		
- 3) No other fit, form or function changes
- 4) If the customer disagrees with the change, We will use Z to distinguish the material number.
- 5) P/O: P/N-packing code-Z; Type: P/N-packing code; Remark : -Z (For example: P/O: 6A10-F-Z; Type: 6A10-F)



**Effective Date:**  
Jan/1st/2019

**Reason :**  
Improved breakdown reliability, product availability, and manufacturing efficiency.

<b>Sample Q'ty :</b>	<b>Pcs</b>	<b>Customer Approved</b>	
<b>Customer opinion:</b>			
<b>Approved: Yes (    ) No (    )</b>			
<b>Approved date by customer:</b>			