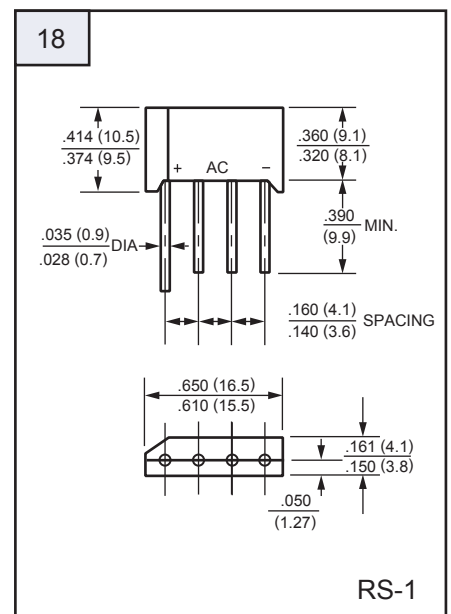
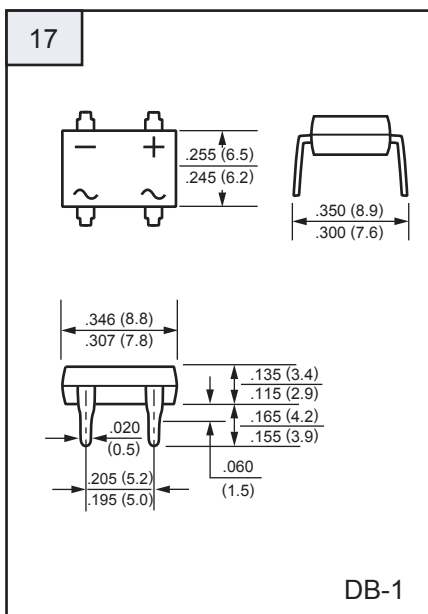
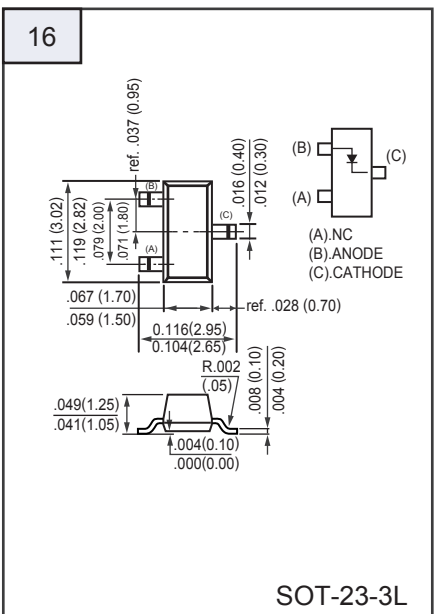
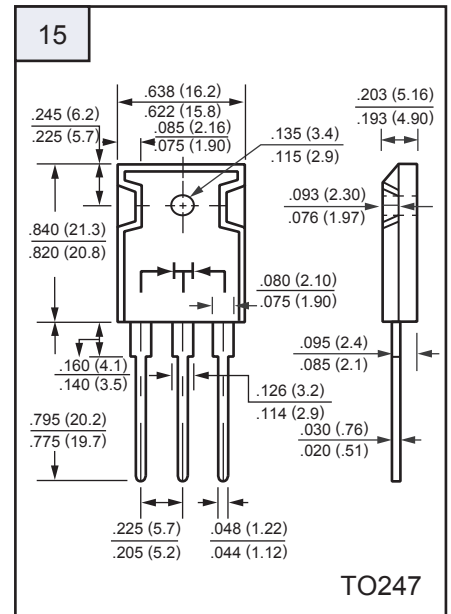
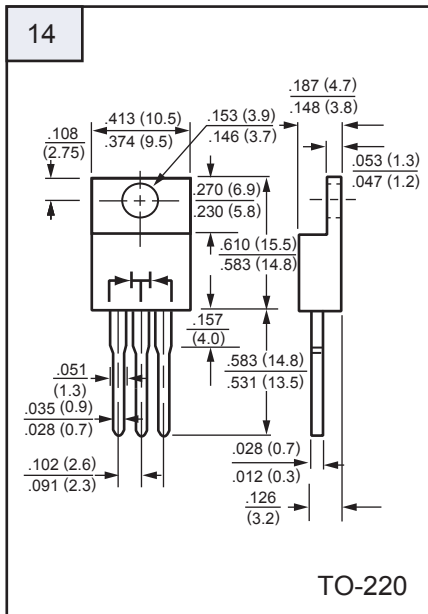
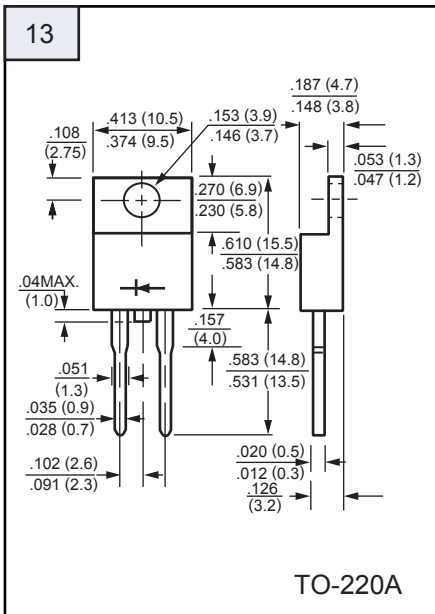
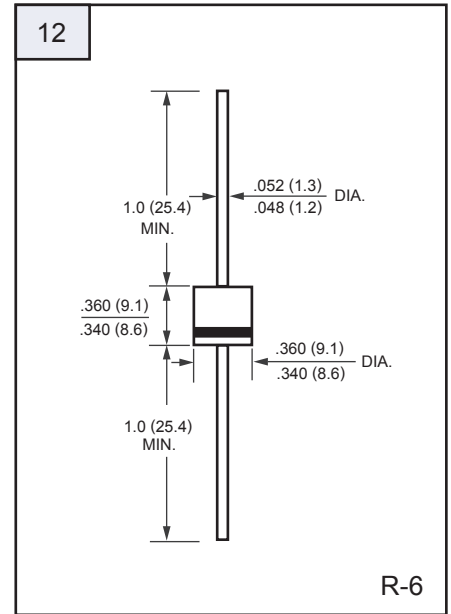
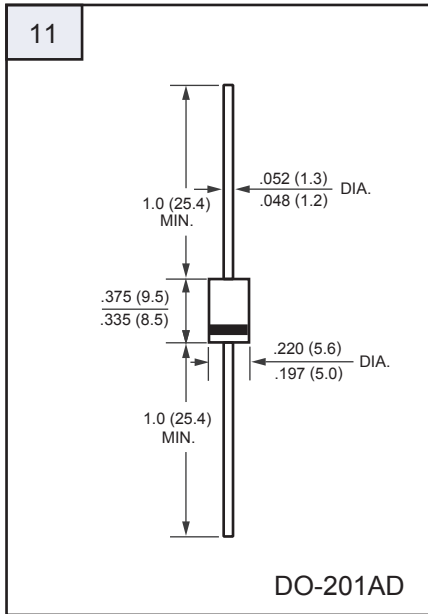
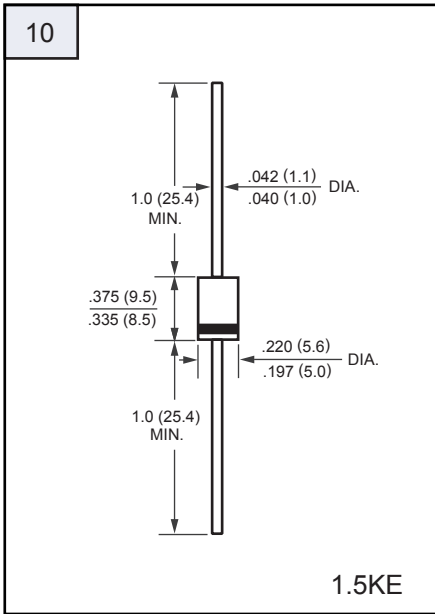


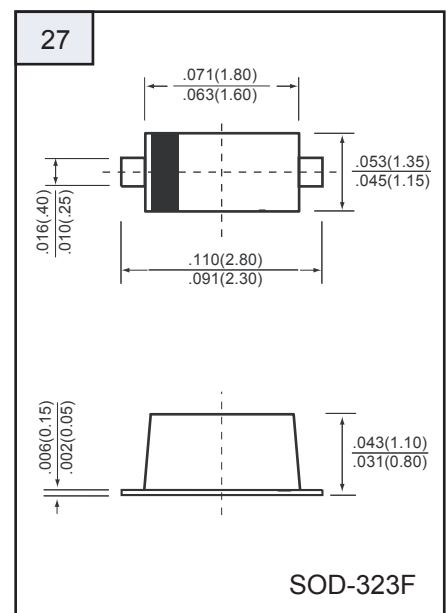
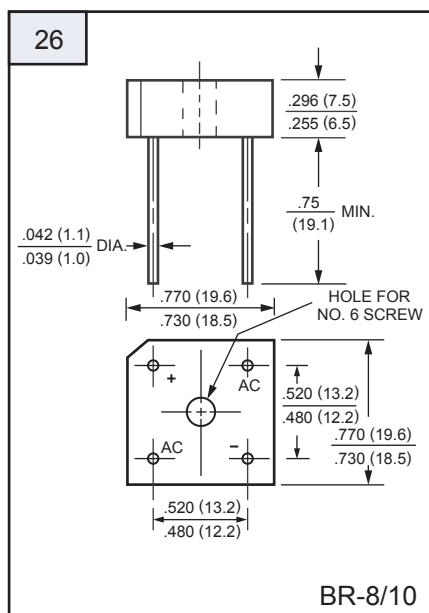
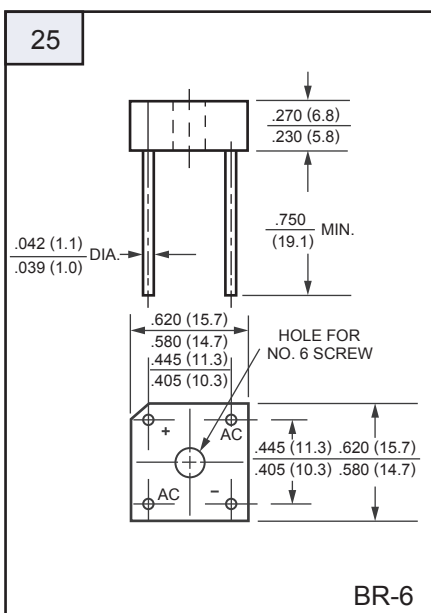
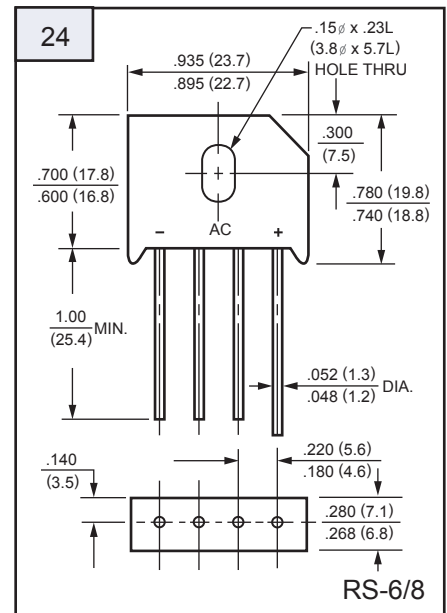
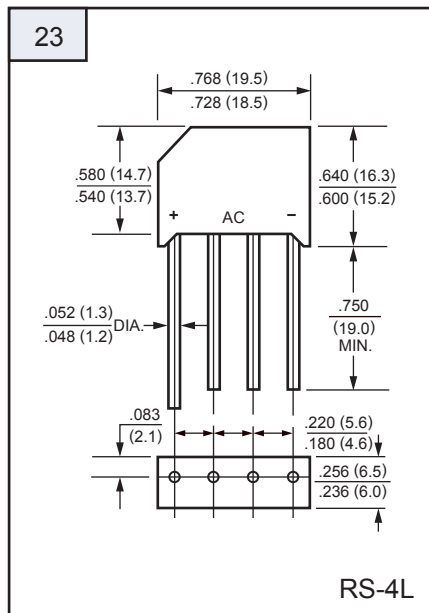
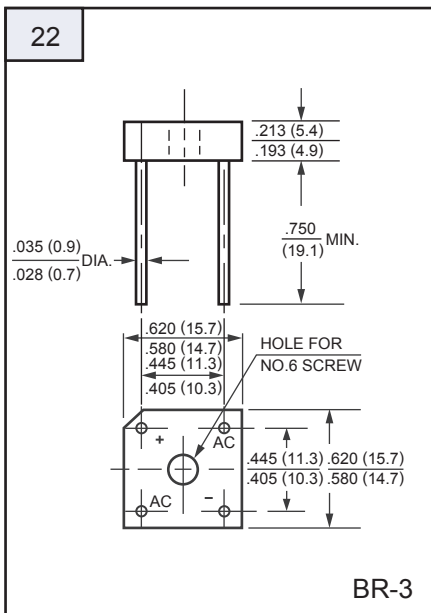
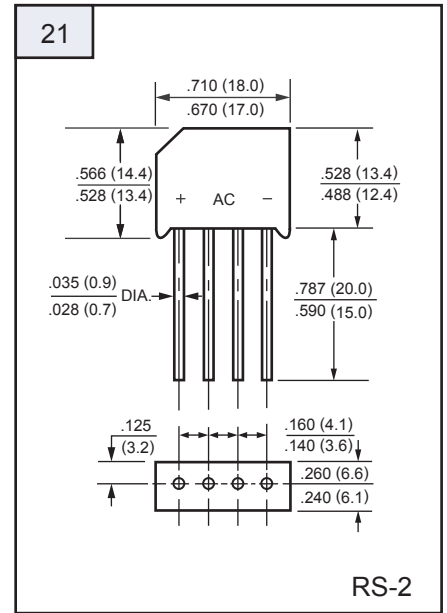
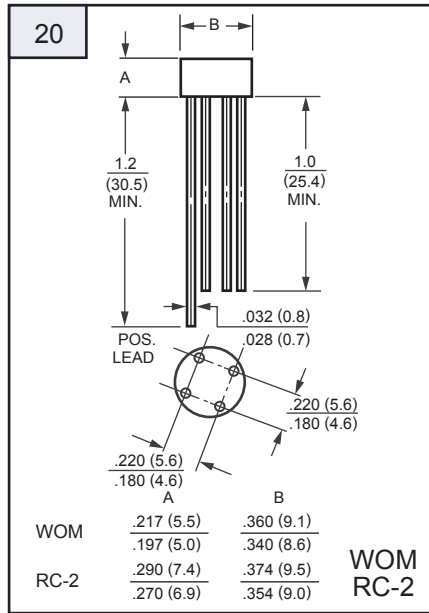
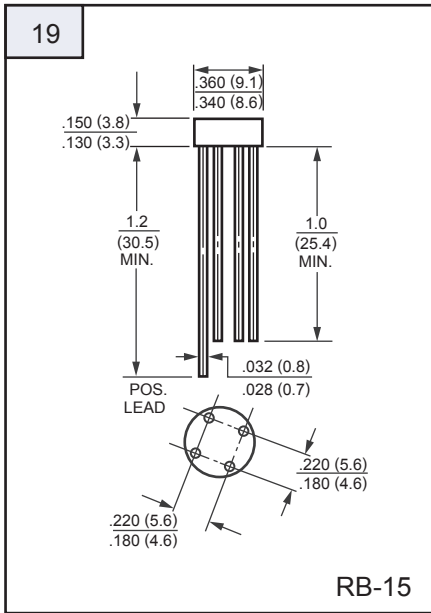
# OUTLINE DRAWING

Unit: inch (mm)



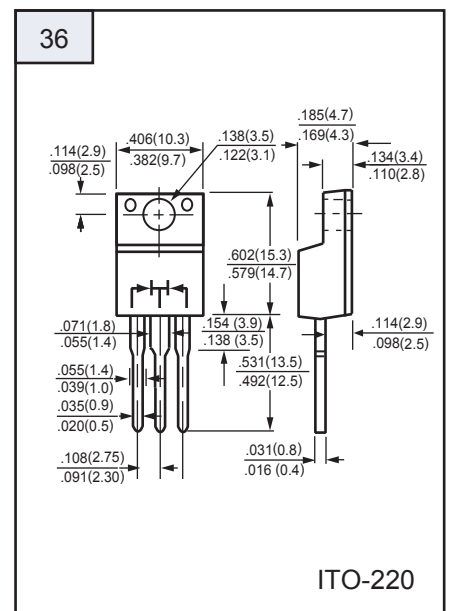
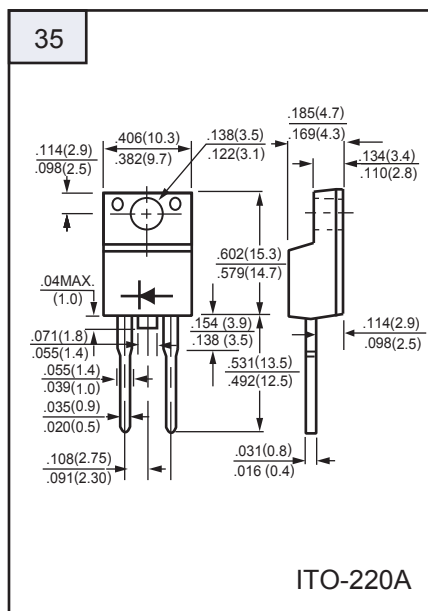
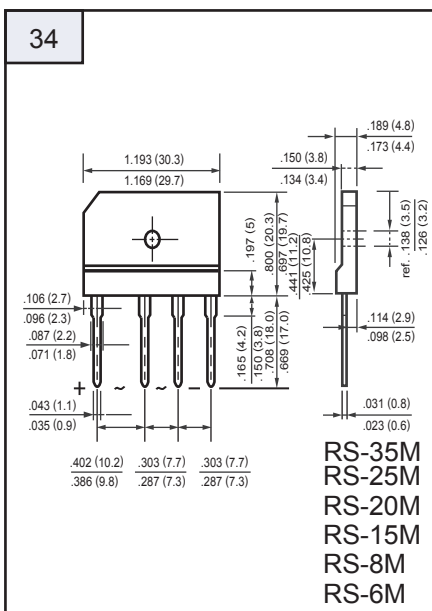
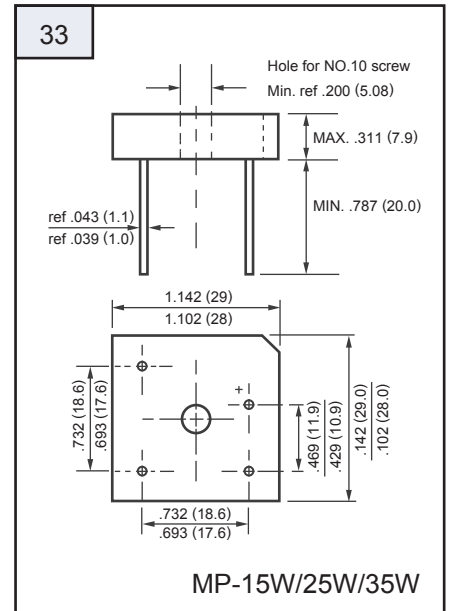
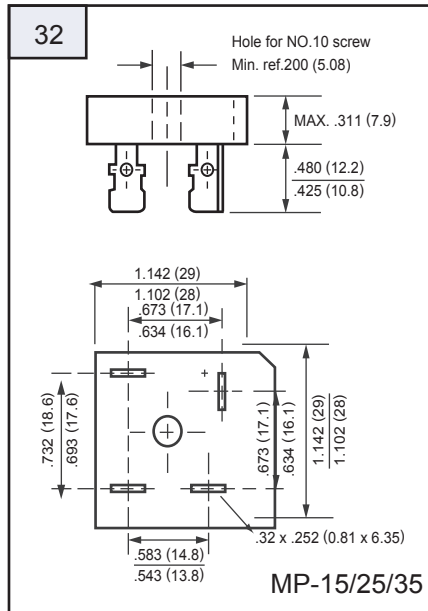
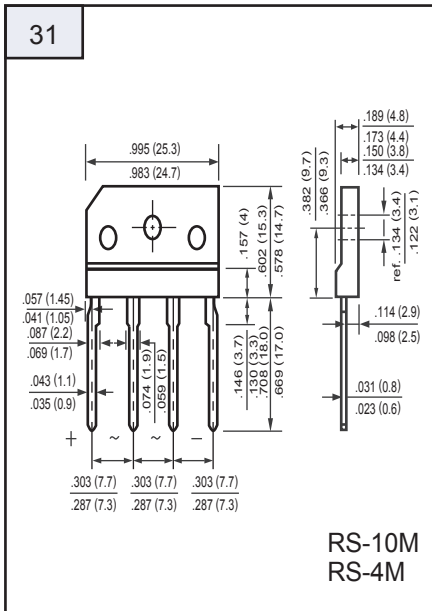
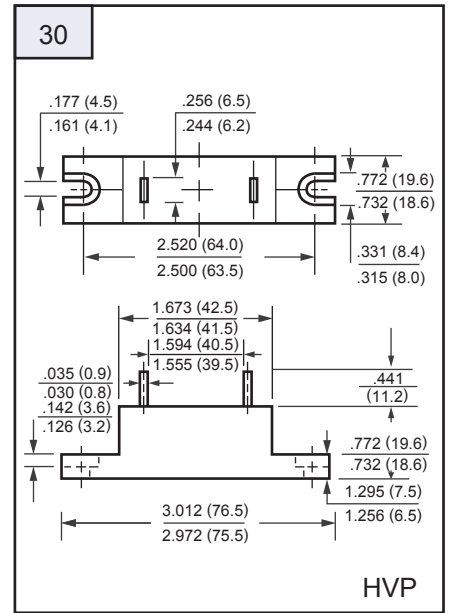
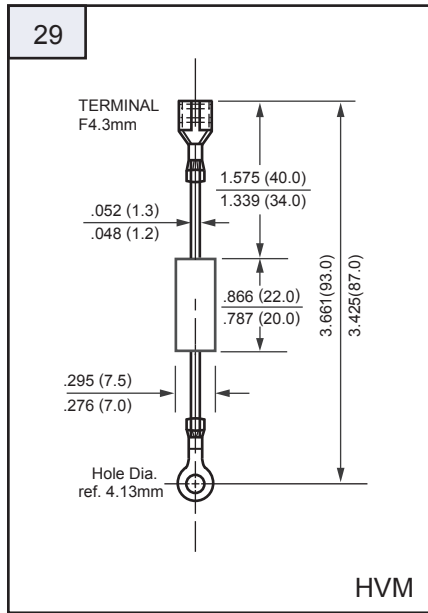
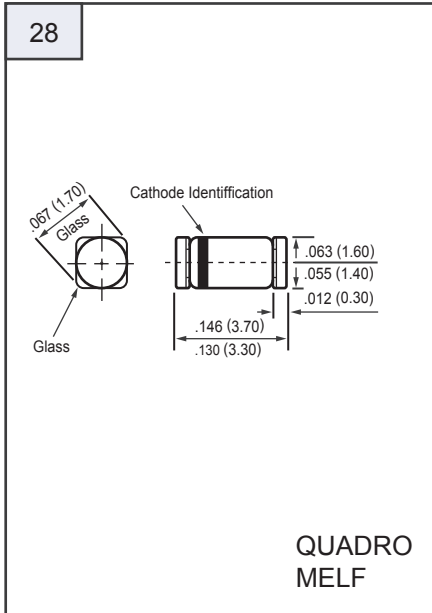
# OUTLINE DRAWING

Unit: inch (mm)



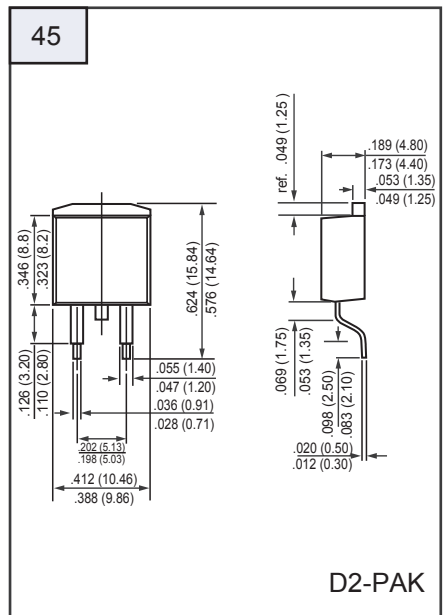
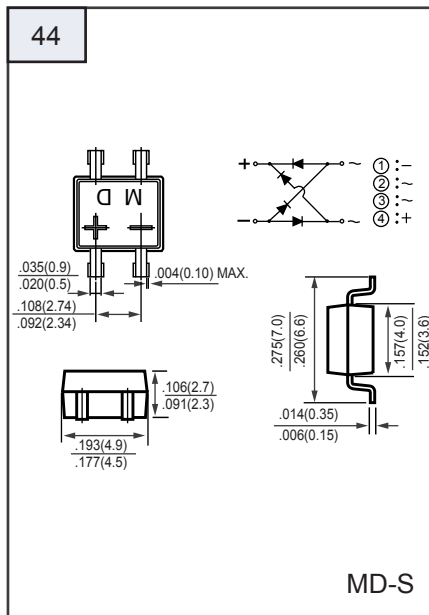
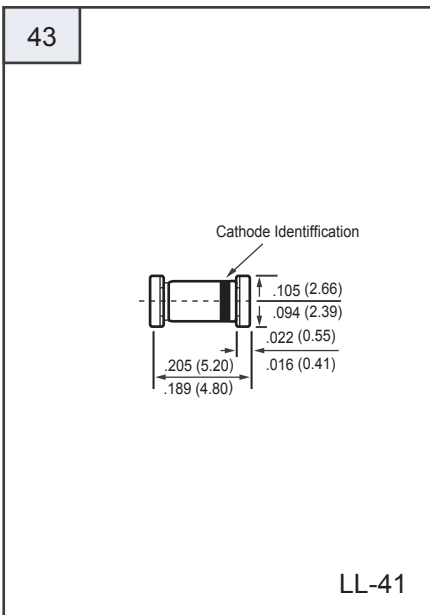
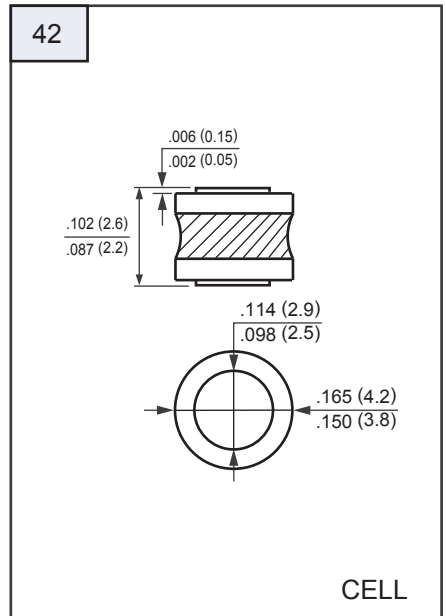
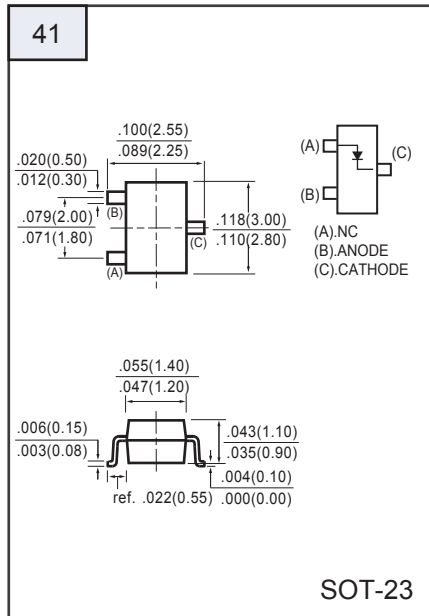
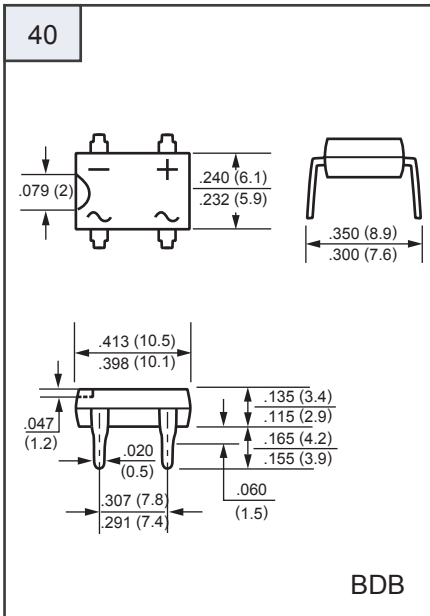
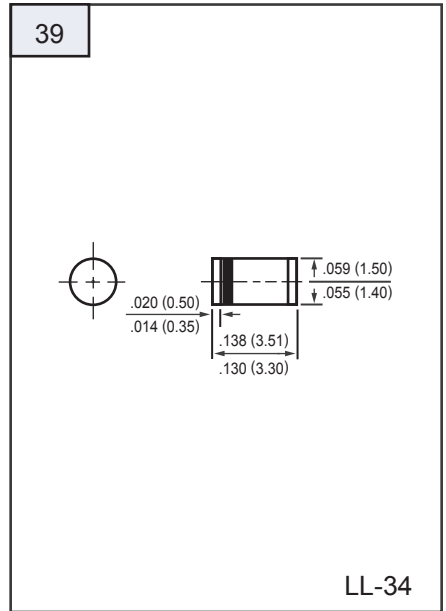
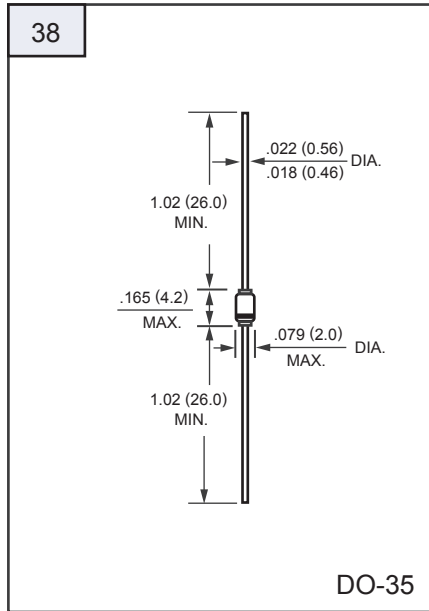
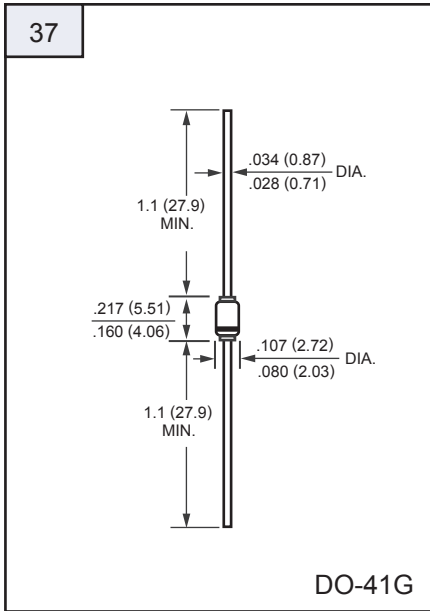
# OUTLINE DRAWING

Unit: inch (mm)



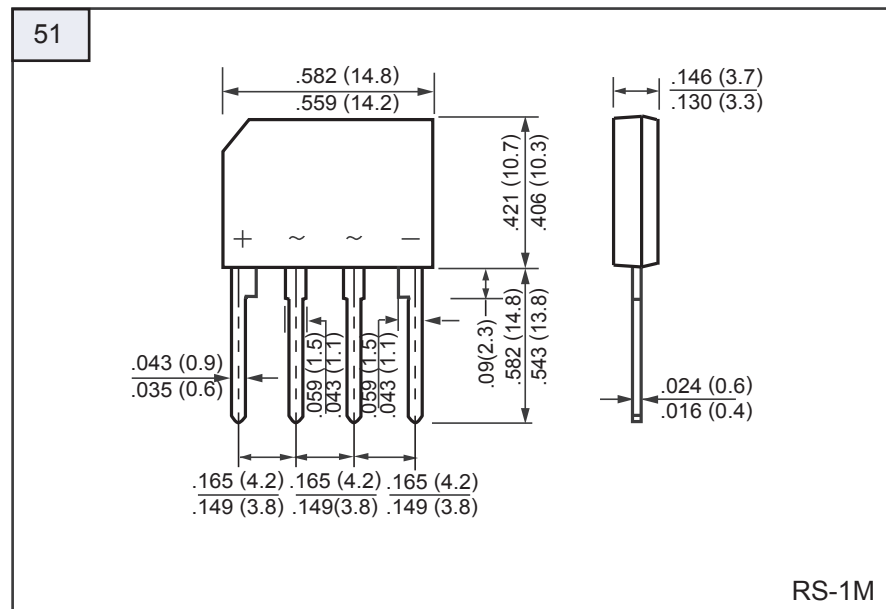
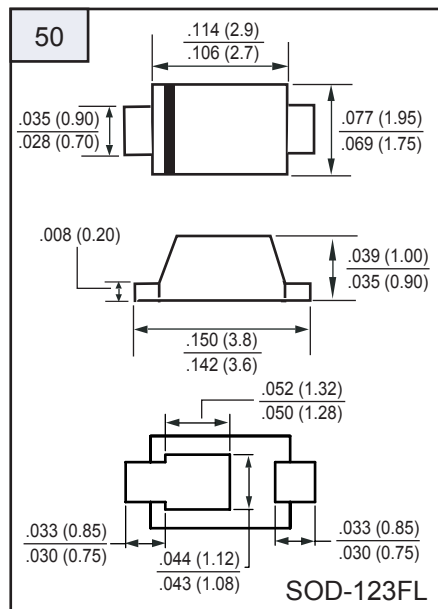
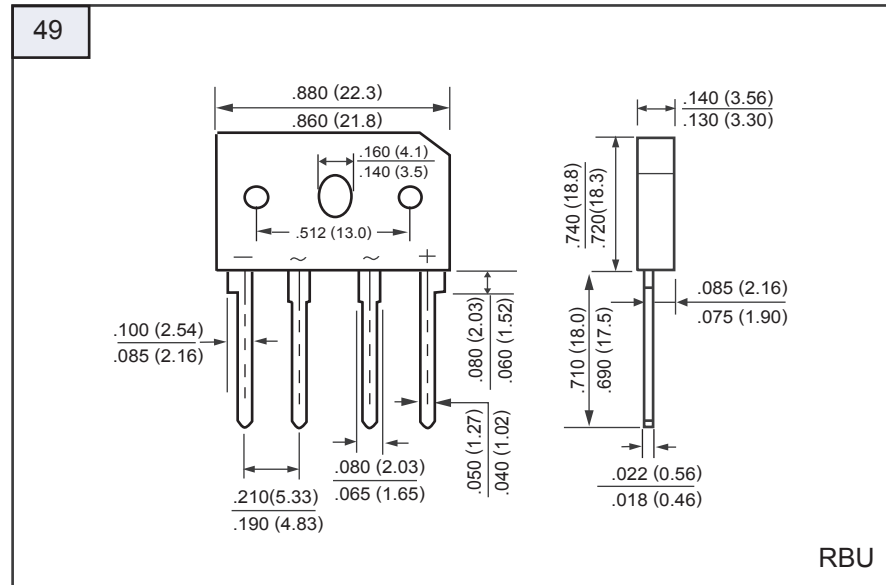
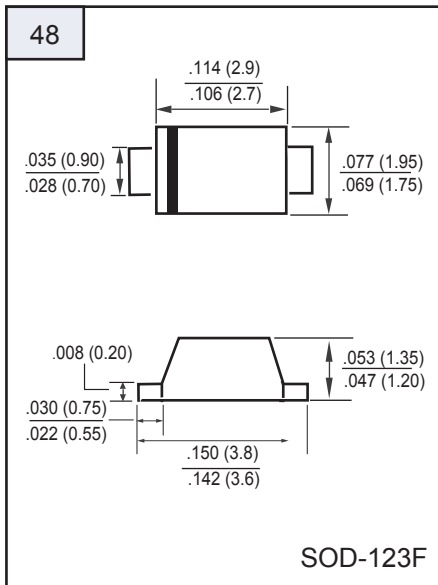
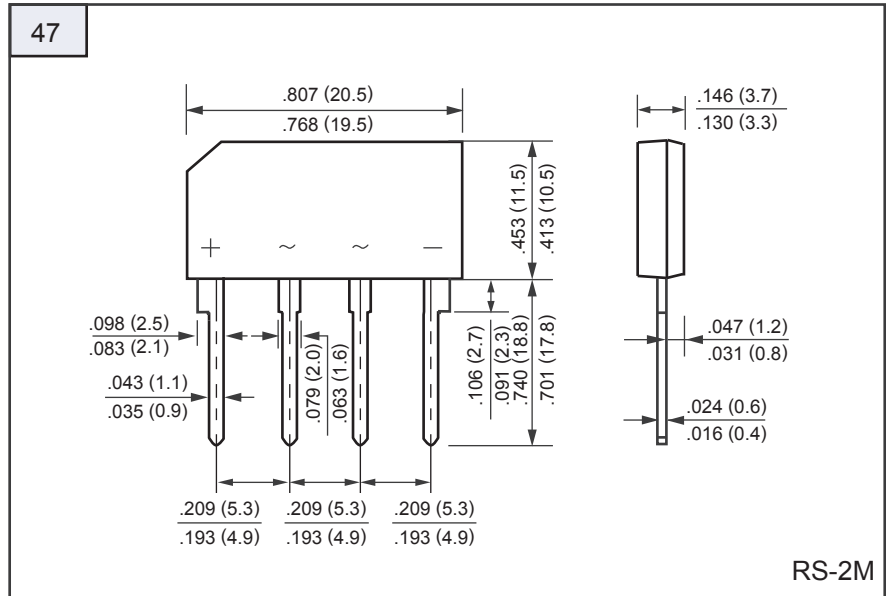
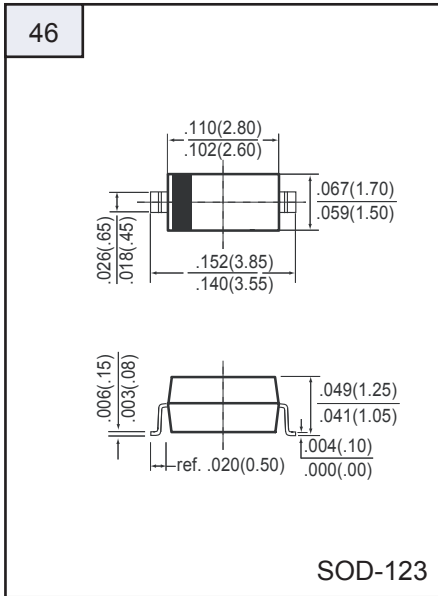
# OUTLINE DRAWING

Unit: inch (mm)



# OUTLINE DRAWING

Unit: inch (mm)



# OUTLINE DRAWING

Unit: inch (mm)

