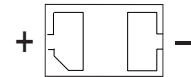


150 mA 100 Volts Switching Diode

Features

- Small surface mounting type
- Epoxy meets UL 94 V-0 flammability rating
- Moisture Sensitivity Level 1
- Tape&Reel:10Kpcs/Reel
- Marking:T4
- Halogen free available upon request by adding suffix "-HF"

DFN1006-2L



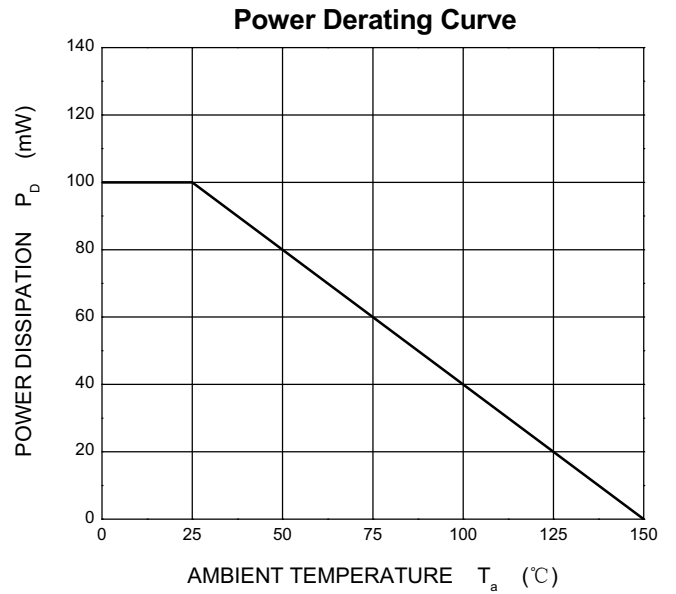
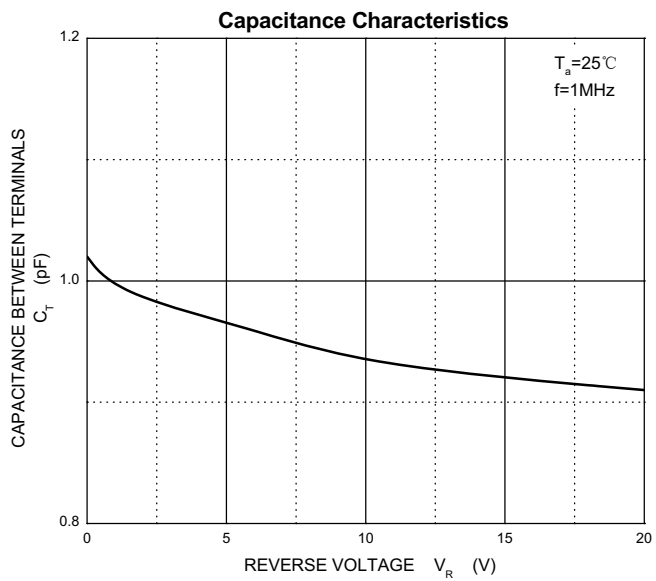
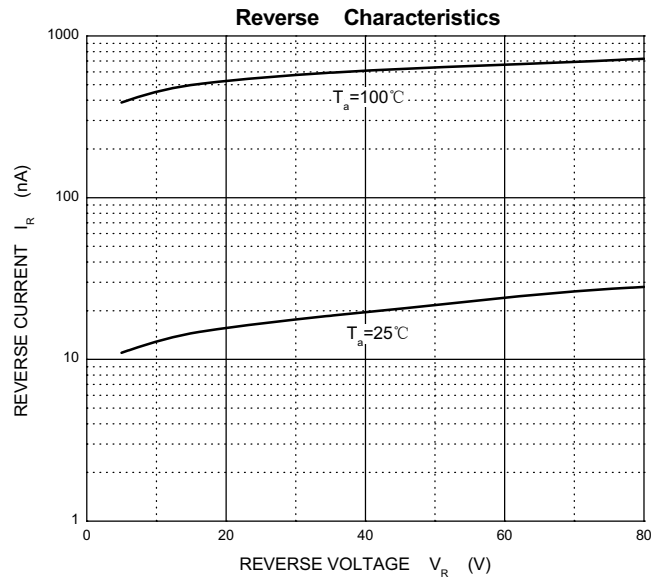
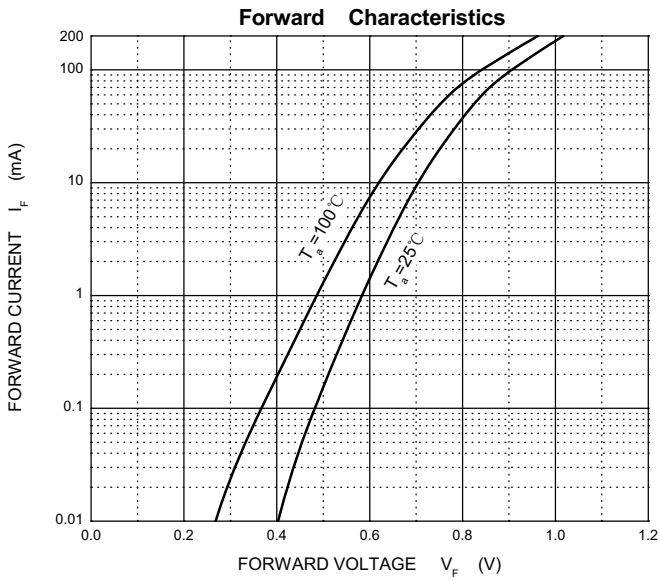
Maximum Ratings @ 25°C Unless Otherwise Specified

Peak Repetitive Reverse Voltage	V_{RM}	100	V
RMS Reverse Voltage	$V_{R(RMS)}$	71	V
Average Rectified Output Current	I_o	150	mA
Peak Forward Surge Current $t=1\mu s$	I_{FSM}	4.0	A
Power Dissipation	P_D	100	mW
Thermal Resistance	R_{JA}	1250	°C/W
Operation/Storage Temp. Range	T_j, T_{STG}	-65 to +150	°C

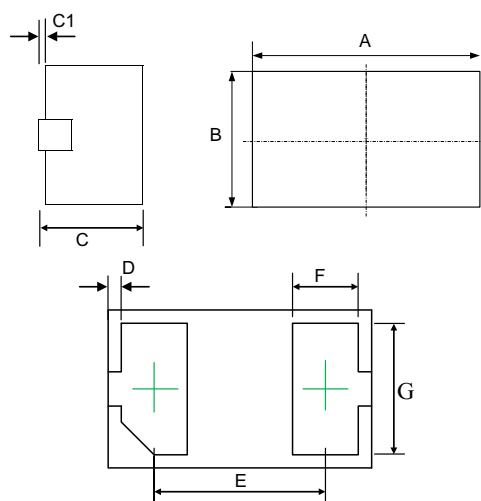
Electrical Characteristics @ 25°C Unless Otherwise Specified

Maximum Instantaneous Forward Voltage	V_F	0.715V	$I_f=1mA$
		0.855V	$I_f=10mA$
		1.00V	$I_f=50mA$
		1.25V	$I_f=100mA$
Maximum DC Reverse Current At Rated DC Blocking Voltage	I_R	25nA	$V_R=25V, T_J=25^\circ C$
		30μA	$V_R=25V, T_J=150^\circ C$
		5.0μA	$V_R=75V, T_J=25^\circ C$
Typical Junction Capacitance	C_J	1.5pF	$V_R=0V, f=1MHZ$
Maximum Reverse Recovery Time	T_{rr}	4nS	$I_R, I_F=10mA$ $I_{rr} = 0.1 * I_R$ $R_L=100\Omega$

RATING AND CHARACTERISTICS CURVES (1N4148DF)

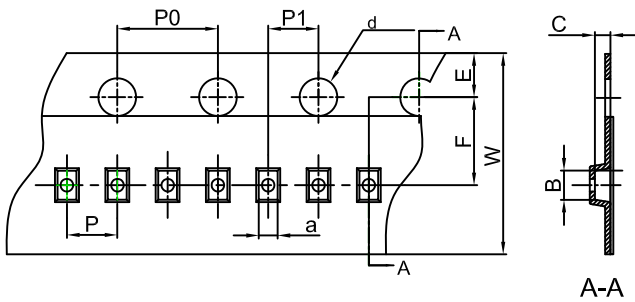


DFN1006-2L



DIMENSIONS					
DIM	INCHES		MM		NOTE
	MIN		MIN		
A	0.037	0.041	0.95	1.05	
B	0.022	0.026	0.55	0.65	
C	0.016	0.020	0.40	0.50	
C1	---	0.002	---	0.05	
D	0.001	0.003	0.02	0.08	
E	0.026BSC		0.65BSC		
F	0.008	0.012	0.20	0.30	
G	0.018	0.022	0.45	0.55	

DFN/FBP(1.0×0.6) Embossed Carrier Tape

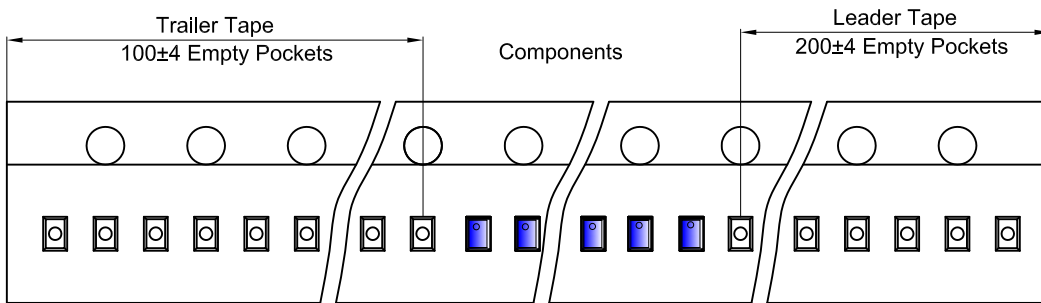


Packaging Description:

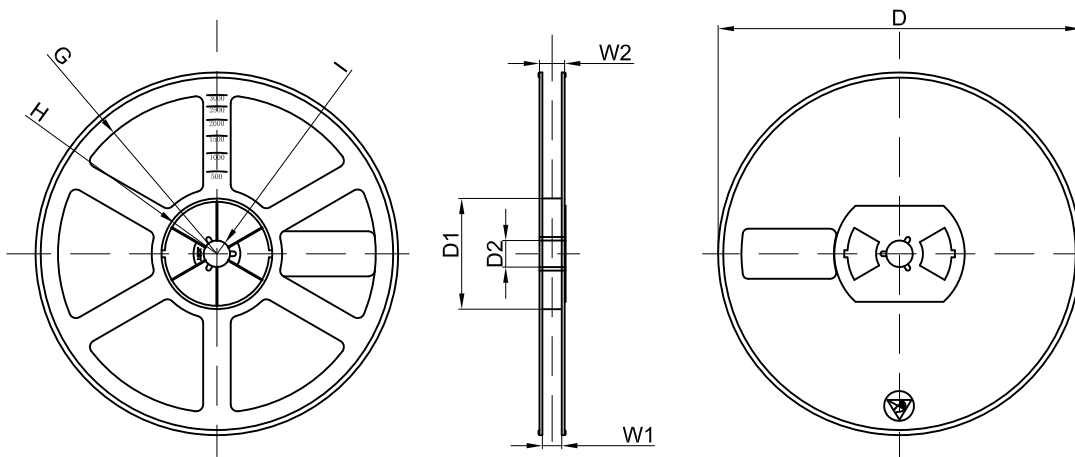
DFN/FBP(1.0×0.6) parts are shipped in tape. The carrier tape is made from a dissipative (carbon filled) polycarbonate resin. The cover tape is a multilayer film (Heat Activated Adhesive in nature) primarily composed of polyester film, adhesive layer, sealant, and anti-static sprayed agent. These reeled parts in standard option are shipped with 10,000 units per 7" or 17.8cm diameter reel. The reels are clear in color and is made of polystyrene plastic (anti-static coated).

Dimensions are in millimeter										
Pkg type	a	B	C	d	E	F	P0	P	P1	W
DFN/FBP(1.0×0.6)	0.66	1.15	0.66	Ø1.50	1.75	3.50	4.00	2.00	2.00	8.00

DFN/FBP(1.0×0.6) Tape Leader and Trailer



DFN/FBP(1.0×0.6) Reel



Dimensions are in millimeter								
Reel Option	D	D1	D2	G	H	I	W1	W2
7" Dia	Ø178.00	54.40	13.00	R78.00	R25.60	R6.50	9.50	12.30

REEL	Reel Size	Box	Box Size(mm)	Carton	Carton Size(mm)	G.W.(kg)
10000 pcs	7 inch	150,000 pcs	203×203×195	600,000 pcs	438×438×220	

DISCLAIMER NOTICE

Rectron Inc reserves the right to make changes without notice to any product specification herein, to make corrections, modifications, enhancements or other changes. Rectron Inc or anyone on its behalf assumes no responsibility or liability for any errors or inaccuracies. Data sheet specifications and its information contained are intended to provide a product description only. "Typical" parameters which may be included on RECTRON data sheets and/ or specifications can and do vary in different applications and actual performance may vary over time. Rectron Inc does not assume any liability arising out of the application or use of any product or circuit.

Rectron products are not designed, intended or authorized for use in medical, life-saving implant or other applications intended for life-sustaining or other related applications where a failure or malfunction of component or circuitry may directly or indirectly cause injury or threaten a life without expressed written approval of Rectron Inc. Customers using or selling Rectron components for use in such applications do so at their own risk and shall agree to fully indemnify Rectron Inc and its subsidiaries harmless against all claims, damages and expenditures.