

Surface Mount Fast Recovery Rectifiers

Features

- Low profile space
- Ideal for automated placement
- Glass passivated chip junctions
- Low forward voltage drop
- Low leakage current
- High forward surge capability
- High temperature soldering: 260°C/10 seconds at terminals

SOD-323



Marking:



BA157WS-----3FG
BA158WS-----3FJ
BA159WS-----3FM

Mechanical Date

- **Case:** SOD-323 molded plastic body over glass passivated chip
- **Terminals:** Solder plated, solderable per JESD22-B102
- **Polarity:** Laser band denotes cathode end
- **Weight:** 0.0063gram

Maximum Ratings & Thermal Characteristics

(T_A = 25 °C unless otherwise noted)

Items	Symbol	BA157WS	BA158WS	BA159WS	UNIT
Maximum repetitive peak reverse voltage	V _{RRM}	400	600	1000	V
Maximum RMS voltage	V _{RMS}	280	420	700	V
Maximum DC blocking voltage	V _{DC}	400	600	1000	V
Maximum average forward rectified current	I _{F(AV)}	0.5			A
Peak forward surge current 8.3 ms single half sine-wave superimposed on rated load	I _{FSM}	10			A
Typical Current Squared Time	I ² T	0.415			A ² S
Thermal resistance from junction to lead ⁽¹⁾	R _{θJL}	35			°C/W
Operating junction and storage temperature range	T _J , T _{STG}	-55 to +125			°C

Note 1: Mounted on P.C.B. with 0.036 x 0.06" (0.9 x 1.5mm) copper pad areas.

Electrical Characteristics (T_A = 25 °C unless otherwise noted)

Items	Test conditions	Symbol	BA157WS	BA158WS	BA159WS	UNIT
Instantaneous forward voltage	I _F =0.5A ⁽²⁾	V _F	1.3			V
Maximum reverse current	V _R =V _{DC}	I _R	5			μA
			50			
Reverse recovery time	I _F =0.5A I _R =1A, I _{rr} =0.25A	t _{rr}	150	250	500	nS

Note 2: Pulse test:300μs pulse width,1% duty cycle.

RATING AND CHARACTERISTICS CURVES (BA157WS THRU BA159WS)

Fig1 .Forwardcurrent deating cure

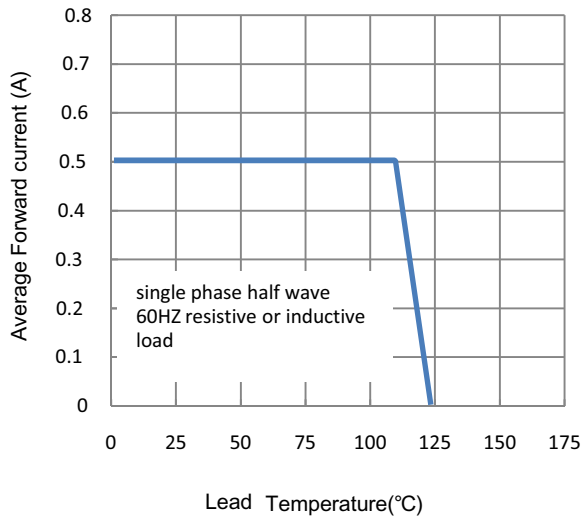


Fig2.MaximumNon-Repetitive peak forward surge current

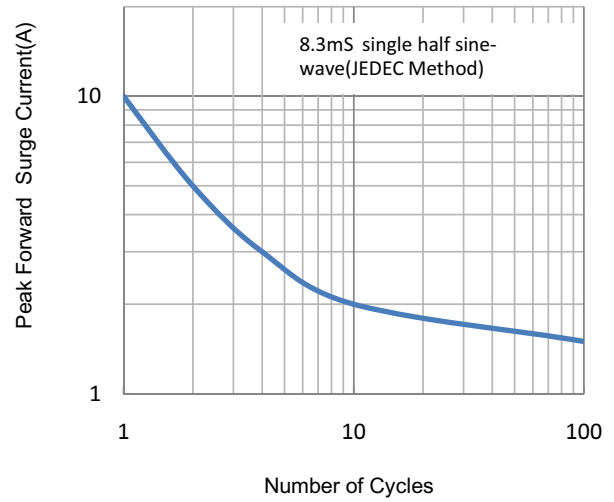


Fig 3 .Maximum Instantaneous Forward Characteristics

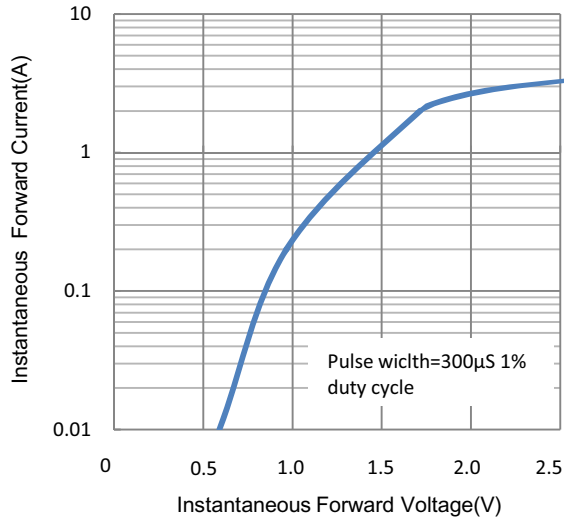
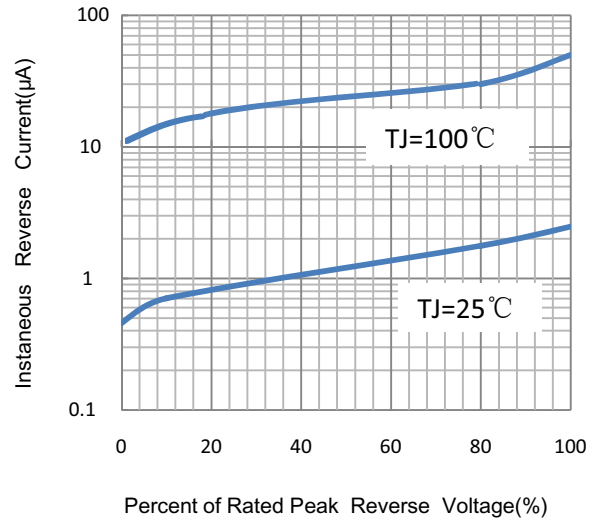
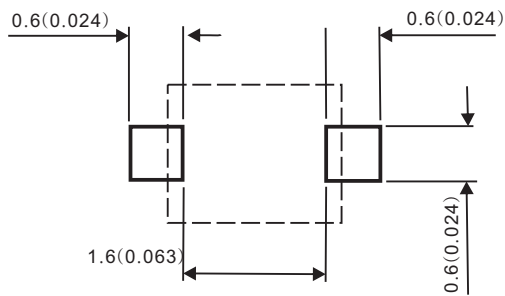
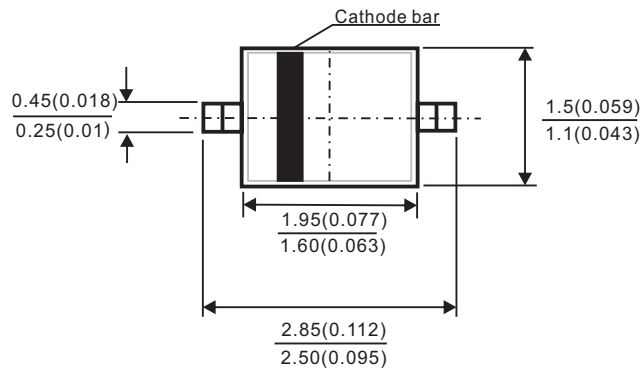
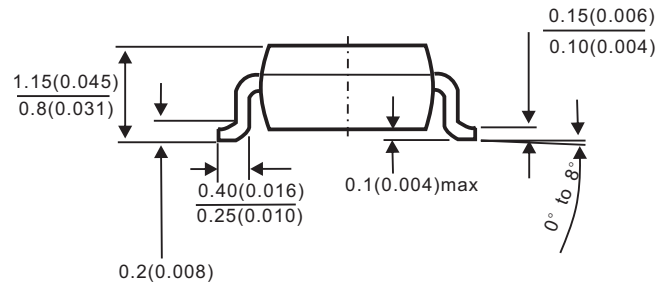


Fig.4 Typical Reverse Characteristics



Package Outline

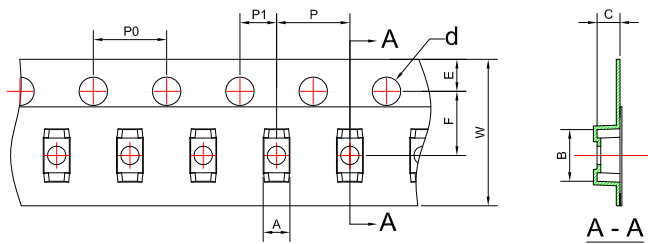
SOD-323



Foot print recommendation

SOD-323 Tape and Reel

SOD-323 Embossed Carrier Tape

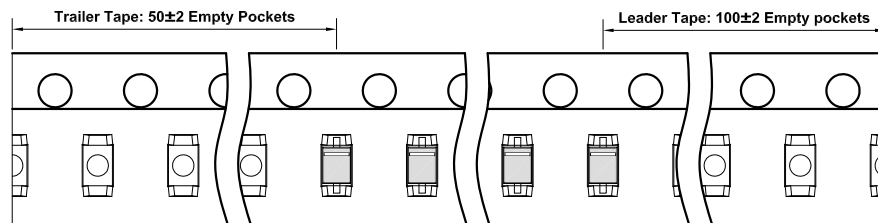


Packaging Description:

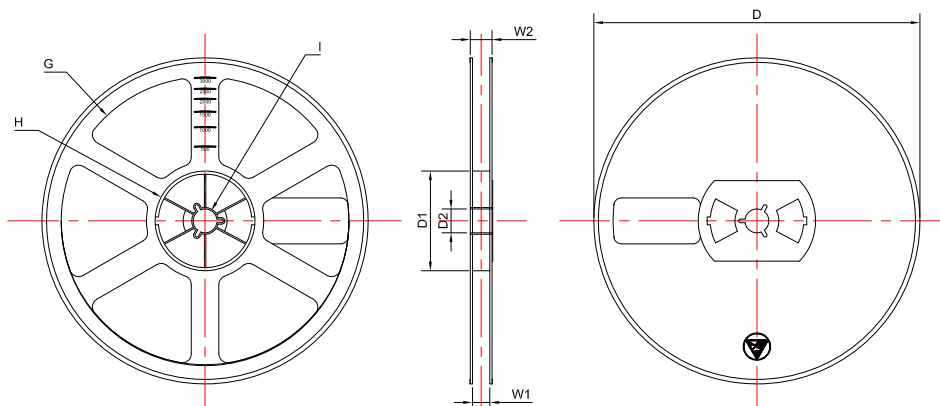
SOD-323 parts are shipped in tape. The carrier tape is made from a dissipative (carbon filled) polycarbonate resin. The cover tape is a multilayer film (heat Activated Adhesive in nature) primarily composed of polyester film, adhesive layer, sealant, and anti-static sprayed agent. The reels are blue in color and made of recyclable plastic.

Dimensions are in millimeter										
Pkg Type	A	B	C	d	E	F	P0	P	P1	W
SOD-323	1.46	2.90	1.25	Ø1.50	1.75	3.50	4.00	4.00	2.00	8.00
(Tolerance)	±0.05	±0.05	±0.05	±0.1	±0.1	±0.1	±0.1	±0.1	±0.1	+0.3/-0.1

SOD-323 Tape Leader and Trailer



SOD-323 Reel



Unit: mm

Reel Option	D	D1	D2	G	H	I	W1	W2
7" Dia	Ø178.00	54.40	13.00	R78.00	R25.60	R6.50	9.50	12.30
Tolerance	±2	±1	±1	±1	±1	±1	±1	±1

Packaging Quantity

Reel	Reel Size	Box	Box Size(mm)	Carton	Carton Size(mm)
3,000	7 inch	45,000	210*208*203	180,000	440*440*230

DISCLAIMER NOTICE

Rectron Inc reserves the right to make changes without notice to any product specification herein, to make corrections, modifications, enhancements or other changes. Rectron Inc or anyone on its behalf assumes no responsibility or liability for any errors or inaccuracies. Data sheet specifications and its information contained are intended to provide a product description only. "Typical" parameters which may be included on RECTRON data sheets and/ or specifications can and do vary in different applications and actual performance may vary over time. Rectron Inc does not assume any liability arising out of the application or use of any product or circuit.

Rectron products are not designed, intended or authorized for use in medical, life-saving implant or other applications intended for life-sustaining or other related applications where a failure or malfunction of component or circuitry may directly or indirectly cause injury or threaten a life without expressed written approval of Rectron Inc. Customers using or selling Rectron components for use in such applications do so at their own risk and shall agree to fully indemnify Rectron Inc and its subsidiaries harmless against all claims, damages and expenditures.