

GLASS PASSIVATED BRIDGE RECTIFIERS
VOLTAGE 50 to 1000 Volts CURRENT 4.0 Ampere

FEATURES

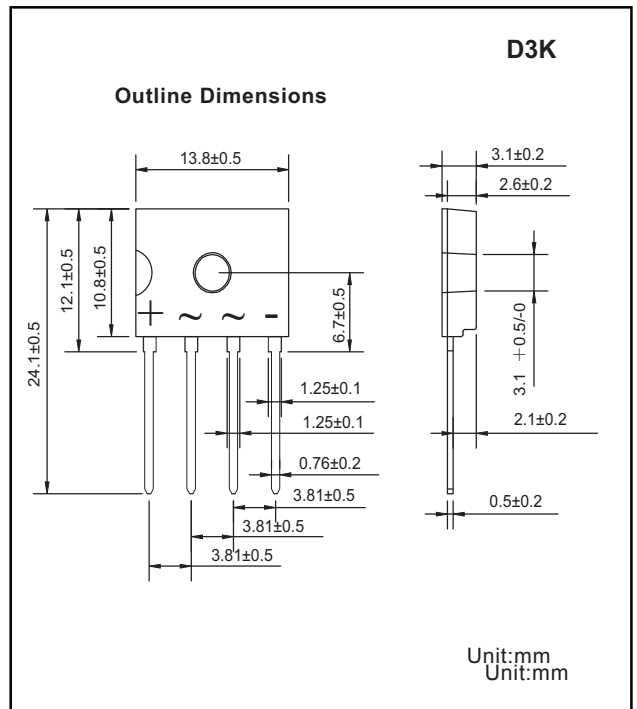
Glass passivated chip junction
High case dielectric strength
High surge current capability
Ideal for printed circuit board

MACHANICAL DATA

Terminal:Plated leads solderable per MIL-STD 202E,
Method 208C
Case:UL-94 Class V-0 recognized Flane Retardant Epoxy
Polarity:Polarity symbol marked on body
Mounting position:any

MAXIMUM RATINGS AND ELECTRICAL CHARACTERISTIS

Rating at 25°C ambient temperature unless otherwise specified.
Single phase, half wave ,60Hz, resistive or indu ctive load.
For capa citive load , derate current by 20%



CHARACTERISTICS	SYMBOL	DRS401K	DRS402K	DRS403K	DRS404K	DRS405K	DRS406K	DRS407K	UNIT
Maximum Recurrent Peak Reverse Voltage	V_{RRM}	50	100	200	400	600	800	1000	V
Maximum RMS Voltage	V_{RMS}	35	70	140	280	420	560	700	V
Maximum DC Blocking Voltage	V_{DC}	50	100	200	400	600	800	1000	V
Maximum Average Forward Rectified Output Current @ $T_c=98^\circ\text{C}$ (with heatsink)	$I_{(AV)}$	4							A
Peak Forward Surge Current 8.3ms Single Half Sine-Wave Super Imposed on Rated Load (JEDEC Method)	I_{FSM}	150							A
Maximum Forward Voltage at 4.0A DC @ $T_a=25^\circ\text{C}$ @ $T_a=125^\circ\text{C}$	V_F	1.05 0.88							V
I^2t Rating for Fusing ($t<8.3\text{ms}$)	I^2t	93.4							A^2s
Typical Thermal Resistance									
without heatsink	$R_{\theta Ja}$	30							$^\circ\text{C/W}$
with heatsink	$R_{\theta Jc}$	5.5							
without heatsink	$R_{\theta JL}$	6							
Maximum DC Reverse Current at Rated DC Blocking Voltage @ $T_a=25^\circ\text{C}$ @ $T_a=125^\circ\text{C}$	I_R	5.0 30							μA
Operating Temperature Range	T_J	-55 to +150							$^\circ\text{C}$
Storage Temperature Range	T_{STG}	-55 to +150							$^\circ\text{C}$

RATING AND CHARACTERISTICS CURVES (DRS401K THRU DRS407K)

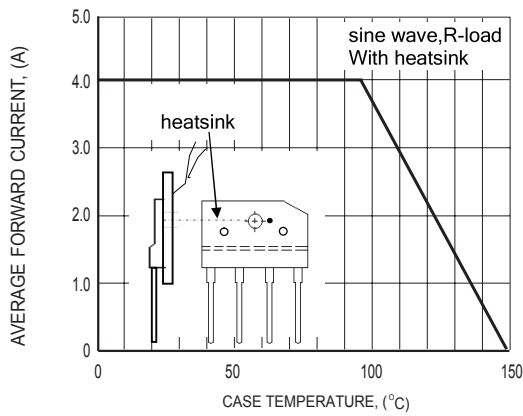


FIG.1 TYPICAL FORWARD CURRENT DERATING CURVE

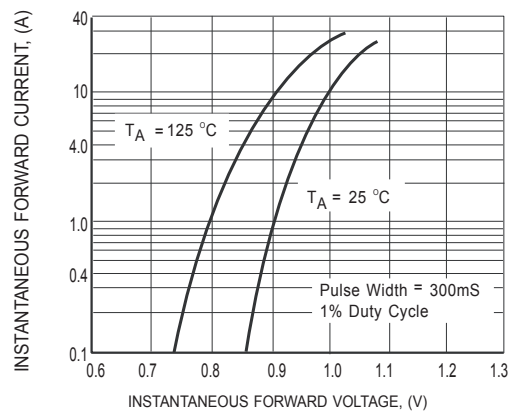


FIG.2 TYPICAL INSTANTANEOUS FORWARD CHARACTERISTICS

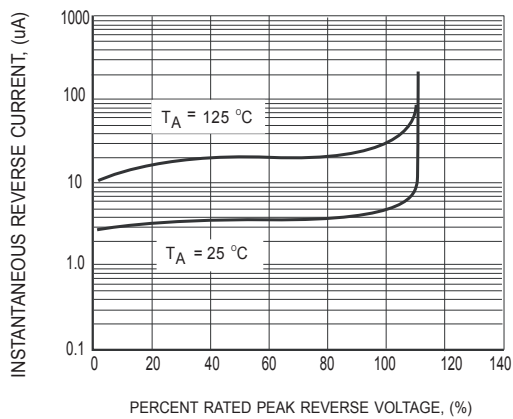


FIG.3 MAXIMUM REVERSE CHARACTERISTICS

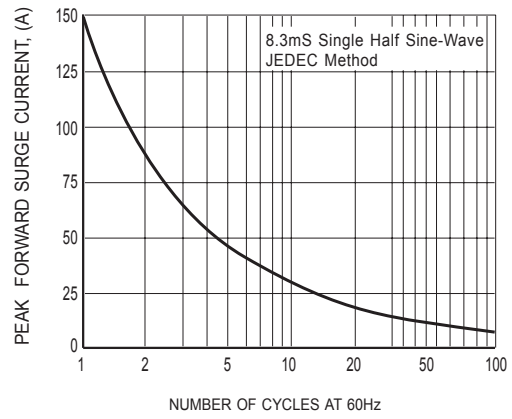
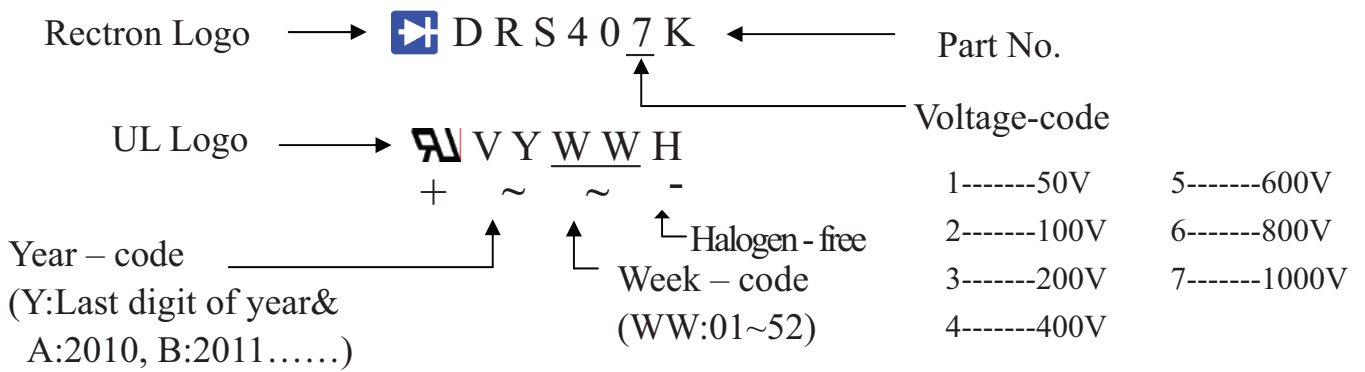


FIG.4 MAXIMUM NON-REPETITIVE FORWARD SURGE CURRENT

Marking Description



PACKAGING OF DIODE AND BRIDGE RECTIFIERS

BULK PACK

PACKAGE	PACKING CODE	EA PER BOX	INNER BOX SIZE (mm)	CARTON SIZE (mm)	EA PER CARTON	GROSS WEIGHT(Kg)
D3K	-B	500	181*183*37	378*202*200	5,000	9.0

TUBE PACK

PACKAGE	PACKING CODE	EA PER BOX	INNER BOX SIZE (mm)	CARTON SIZE (mm)	EA PER CARTON	WEIGHT(Kg)
D3K	-C	3,000	491*145*133	498*330*160	6,000	13.2

DISCLAIMER NOTICE

Rectron Inc reserves the right to make changes without notice to any product specification herein, to make corrections, modifications, enhancements or other changes. Rectron Inc or anyone on its behalf assumes no responsibility or liability for any errors or inaccuracies. Data sheet specifications and its information contained are intended to provide a product description only. "Typical" parameters which may be included on RECTRON data sheets and/ or specifications can and do vary in different applications and actual performance may vary over time. Rectron Inc does not assume any liability arising out of the application or use of any product or circuit.

Rectron products are not designed, intended or authorized for use in medical, life-saving implant or other applications intended for life-sustaining or other related applications where a failure or malfunction of component or circuitry may directly or indirectly cause injury or threaten a life without expressed written approval of Rectron Inc. Customers using or selling Rectron components for use in such applications do so at their own risk and shall agree to fully indemnify Rectron Inc and its subsidiaries harmless against all claims, damages and expenditures.