

## Fast Recovery High Voltage Diodes

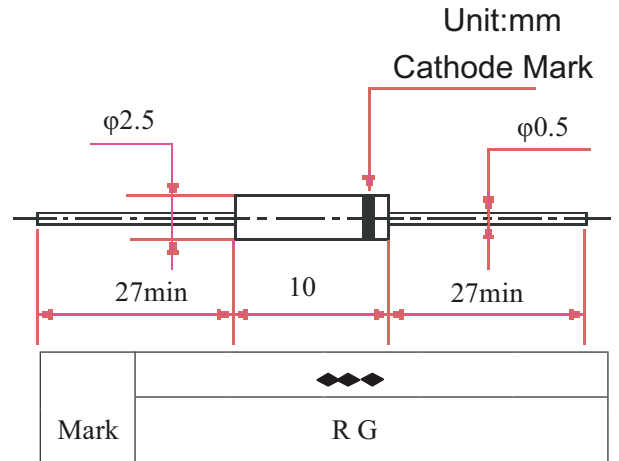
### Features:

- Fast recovery
- Low forward on pressure, low leakage current
- Protection of avalanche breakdown
- Antiimpacting of discharging of CRT high voltage surge current
- Axial lead diode, could weld on tube pin
- Epoxy resin molded and can resist corrosion on its surface

### Application:

- Television and FBT display
- Cathode ion generator, laser power supply
- Neon lamp power supply, voltage multiplier assembly
- DC high voltage generator assembly

### ■ OUTLINE DRAWINGS



### MAX.RATED VALUE

RatedValue	Sign	Condition	R10000H	Unit
Peak Reverse Repetitive Voltage	$V_{RRM}$		10	kV
Non-Repetitive Peak Reverse Voltage	$V_{RSM}$		12	kV
Average Forward Current	$I_{F(AV)}$	50Hz Sine-half Wave Rectification Average Value $T_{amb}=50^{\circ}C$	5.0	mA
Non-Repetitive Forward Surge Current	$I_{FSM}$	50Hz 10ms Sine-half Wave	0.5	A
Maximum Junction Temperature	$T_{(VJ)}$		120	$^{\circ}C$
Ambient Temperature	$T_{amb}$		-40~+ 100	$^{\circ}C$
Store Temperature	$T_{stg}$		-40~+120	$^{\circ}C$

### Electric Characteristic

RatedValue	Sign	Condition	R10000H	Unit
Max Forward Voltage Drop	$V_{FM}$	$I_F=10mA$	30.0	V
Max. Reverse Recovery Time	$t_{rr}$	$I_F=2mA$ $I_R=4mA$ Fore edge of pulse less than 0.01 $\mu$ S	0.1	$\mu$ S
Max. Normal Temperature Reverse Current	$I_{R1}$	$V_{RRM}=10kV$	2.0	$\mu$ A
Max. High Temperature Reverse Current	$I_{R2}$	$V_{RRM}=10kV$ $T_{amb}=100^{\circ}C$	5.0	$\mu$ A
Max. Junction Capacitor	$C_j$	1MHZ, $V_B=0V$	1	pF

# RATING AND CHARACTERISTICS CURVES (R10000H)

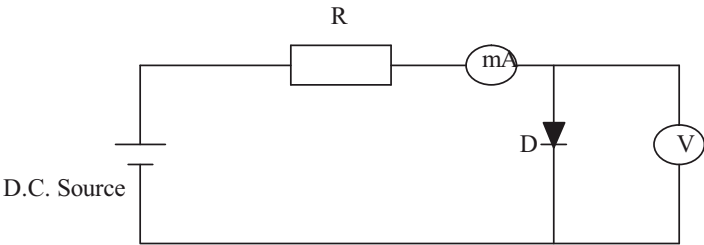


Fig.1 Forward voltage drop test circuit

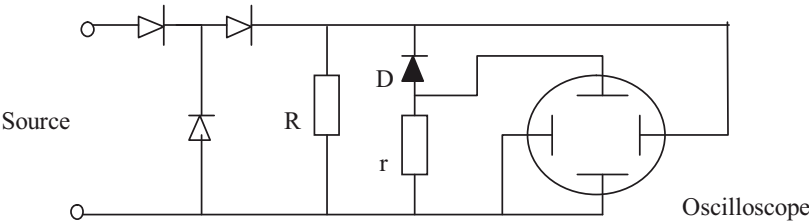
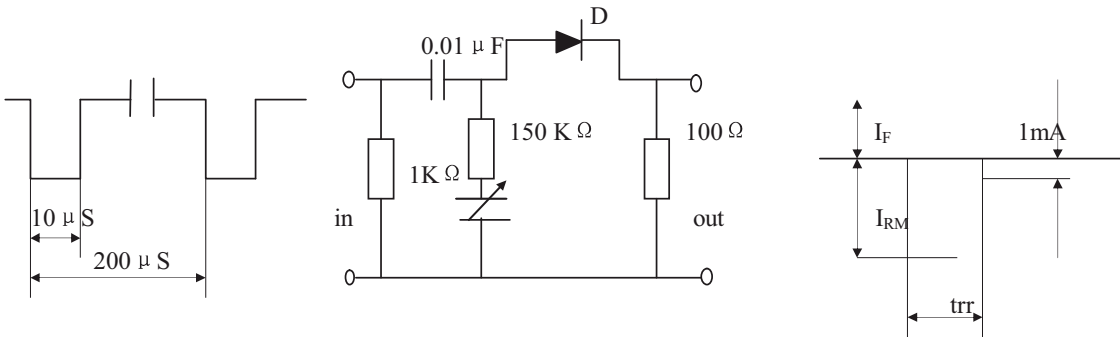


Fig.2 Reverse current test circuit



## PACKAGING OF DIODE AND BRIDGE RECTIFIERS

### AMMO PACK

PACKAGE	PACKING CODE	REEL ( EA )	COMPONENT SPACE(mm)	TAPE SPACE (mm)	BOX SIZE (mm)	CARTON SIZE(mm)	CARTON ( EA )	GROSS WEIGHT (Kg)
R8000H R10000H	-F	5000	5.0	52	260*75*132	430*300*295	50,000	---

## DISCLAIMER NOTICE

Rectron Inc reserves the right to make changes without notice to any product specification herein, to make corrections, modifications, enhancements or other changes. Rectron Inc or anyone on its behalf assumes no responsibility or liability for any errors or inaccuracies. Data sheet specifications and its information contained are intended to provide a product description only. "Typical" parameters which may be included on RECTRON data sheets and/ or specifications can and do vary in different applications and actual performance may vary over time. Rectron Inc does not assume any liability arising out of the application or use of any product or circuit.

Rectron products are not designed, intended or authorized for use in medical, life-saving implant or other applications intended for life-sustaining or other related applications where a failure or malfunction of component or circuitry may directly or indirectly cause injury or threaten a life without expressed written approval of Rectron Inc. Customers using or selling Rectron components for use in such applications do so at their own risk and shall agree to fully indemnify Rectron Inc and its subsidiaries harmless against all claims, damages and expenditures.