

**SINGLE-PHASE GLASS PASSIVATED
SILICON BRIDGE RECTIFIER**
VOLTAGE RANGE 600 to 1000 Volts CURRENT 35 Amperes

FEATURES

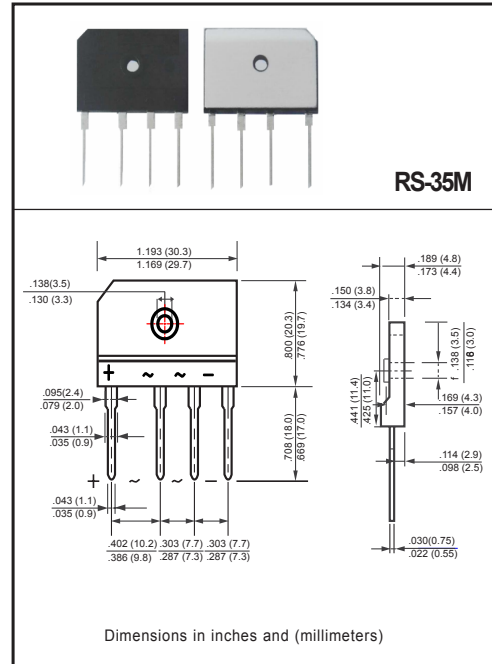
- * Low leakage
- * Low forward voltage
- * Surge overload rating : 400 amperes peak
- * Mounting position: Any
- * Ideal for printed circuit boards
- * High forward surge current capability
- * Superior thermal conductivity
- * P/N suffix V means AEC-Q101 qualified, e.g:RS3505MHV
- * P/N suffix V means Halogen-free

MECHANICAL DATA

- * Case:Molded plastic case
- * Weight:About 6.7grams

MAXIMUM RATINGS AND ELECTRICAL CHARACTERISTICS

Ratings at 25 °C ambient temperature unless otherwise specified.
resistive or inductive load.



MAXIMUM RATINGS (@ TA=25 °C unless otherwise noted)

RATINGS	SYMBOL	RS3505MH	RS3506MH	RS3507MH	UNITS
Maximum Recurrent Peak Reverse Voltage	V _{RRM}	600	800	1000	Volts
Maximum RMS Voltage	V _{RMS}	420	560	700	Volts
Maximum DC Blocking Voltage	V _{DC}	600	800	1000	Volts
Maximum Average Forward Rectified Current at T _C = 85°C	I _O	35			Amps
Peak Forward Surge Current 8.3 ms single half sine-wave superimposed on rated load (JEDEC method)	I _{FSM}	400			Amps
Typical Current Squared Time	I _t ²	660			A ² /S
Insulation voltage	V _{iso}	2500			Volts
Maximum thermal resistance per leg (Note 1)	R _{θJC}	0.8			°C/W
Maximum thermal resistance per leg (Note 2)	R _{θJA}	18			
Operating and Storage Temperature Range	T _J , T _{STG}	-55 to + 150			°C

ELECTRICAL CHARACTERISTICS (@TA=25 °C unless otherwise noted)

CHARACTERISTICS	SYMBOL	RS3505MH	RS3506MH	RS3507MH	UNITS
Maximum Instantaneous Forward Voltage at 17.5A DC	V _F	1.1			Volts
Maximum DC Reverse Current at Rated DC Blocking Voltage	@T _A = 25°C	5.0			uAmps
	@T _A = 125°C	500			

NOTES : 1.Junction to case with heatsink.
2.Junction to ambient without heatsink.

2022-02/30
REV:C

RATING AND CHARACTERISTICS CURVES (RS3505MH THRU RS3507MH)

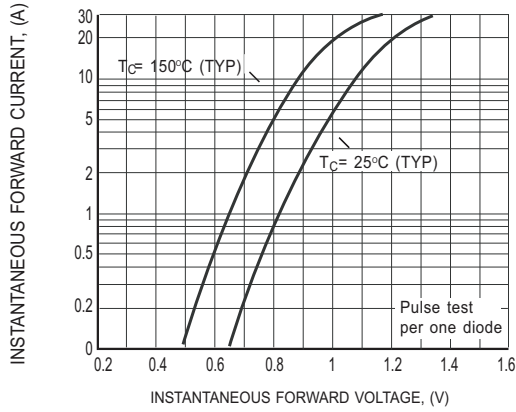


FIG.1 TYPICAL INSTANTANEOUS FORWARD CHARACTERISTICS

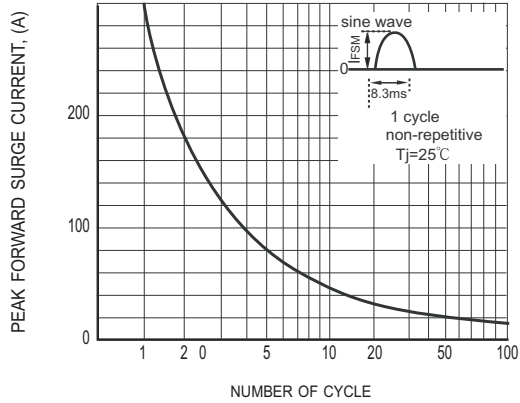


FIG.3 SURGE FORWARD CURRENT CAPABILITY

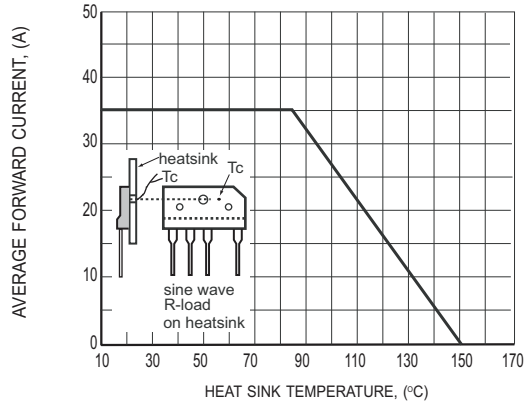


FIG.2 TYPICAL FORWARD CURRENT DERATING CURVE

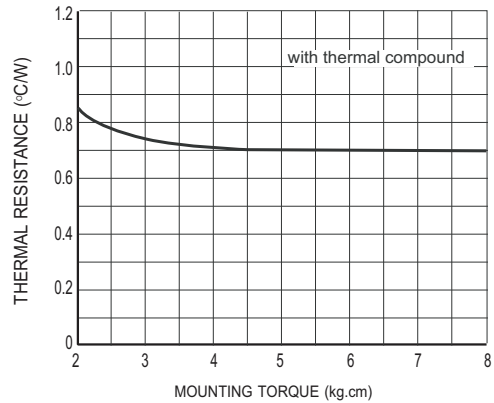
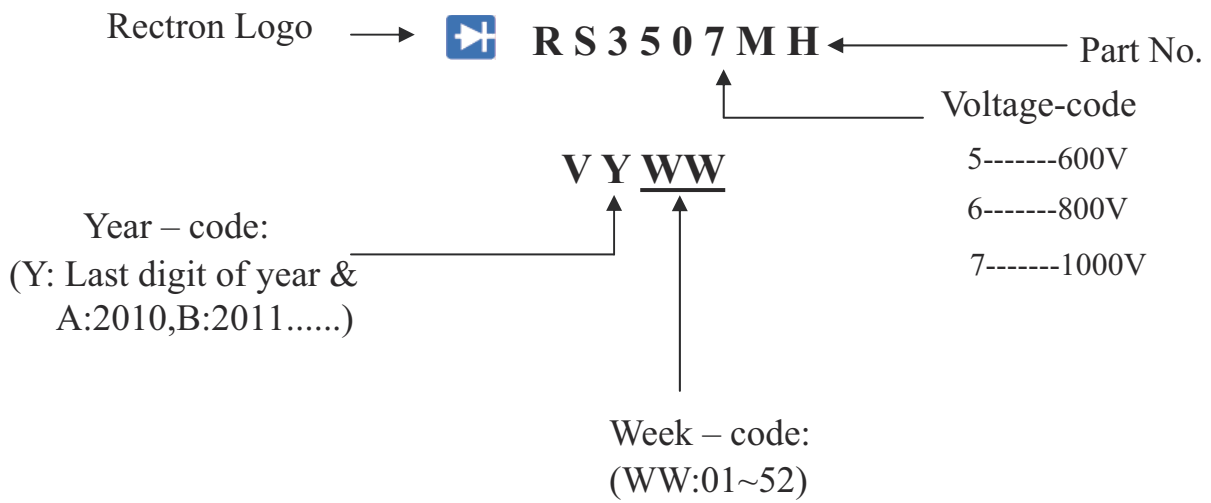


FIG.4 CONTACT THERMAL RESISTANCE fcf

Marking Description



PACKAGING OF DIODE AND BRIDGE RECTIFIERS

TUBE PACK

PACKAGE	PACKING CODE	EA PER BOX	INNER BOX SIZE (mm)	CARTON SIZE (mm)	EA PER CARTON
RS-35M	-C	480	640*150*80	655*315*186	1,920

DISCLAIMER NOTICE

Rectron Inc reserves the right to make changes without notice to any product specification herein, to make corrections, modifications, enhancements or other changes. Rectron Inc or anyone on its behalf assumes no responsibility or liability for any errors or inaccuracies. Data sheet specifications and its information contained are intended to provide a product description only. "Typical" parameters which may be included on RECTRON data sheets and/ or specifications can and do vary in different applications and actual performance may vary over time. Rectron Inc does not assume any liability arising out of the application or use of any product or circuit.

Rectron products are not designed, intended or authorized for use in medical, life-saving implant or other applications intended for life-sustaining or other related applications where a failure or malfunction of component or circuitry may directly or indirectly cause injury or threaten a life without expressed written approval of Rectron Inc. Customers using or selling Rectron components for use in such applications do so at their own risk and shall agree to fully indemnify Rectron Inc and its subsidiaries harmless against all claims, damages and expenditures.